

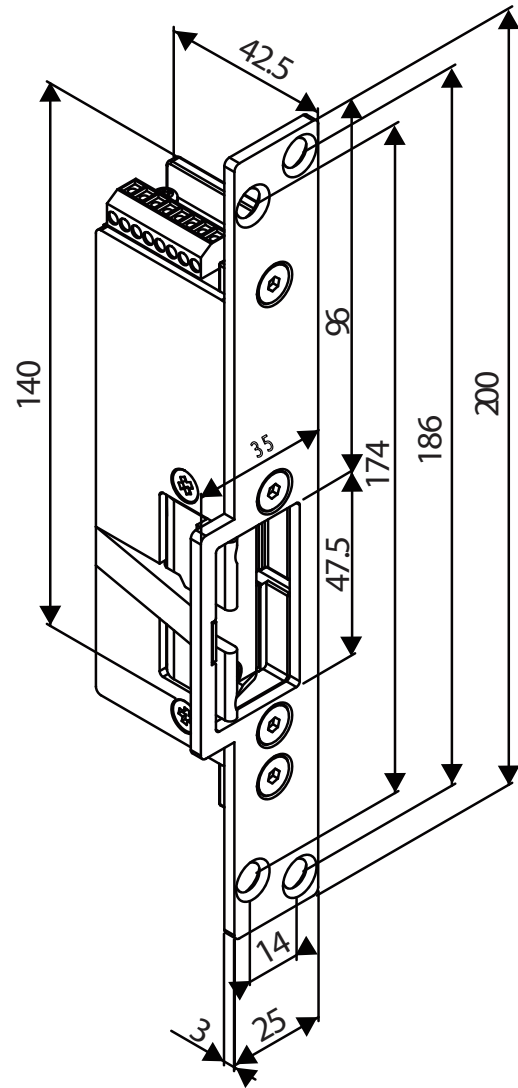


TRIPLO W
Criamos Segurança!

Guia de Instalação
Manual do Utilizador

GK236

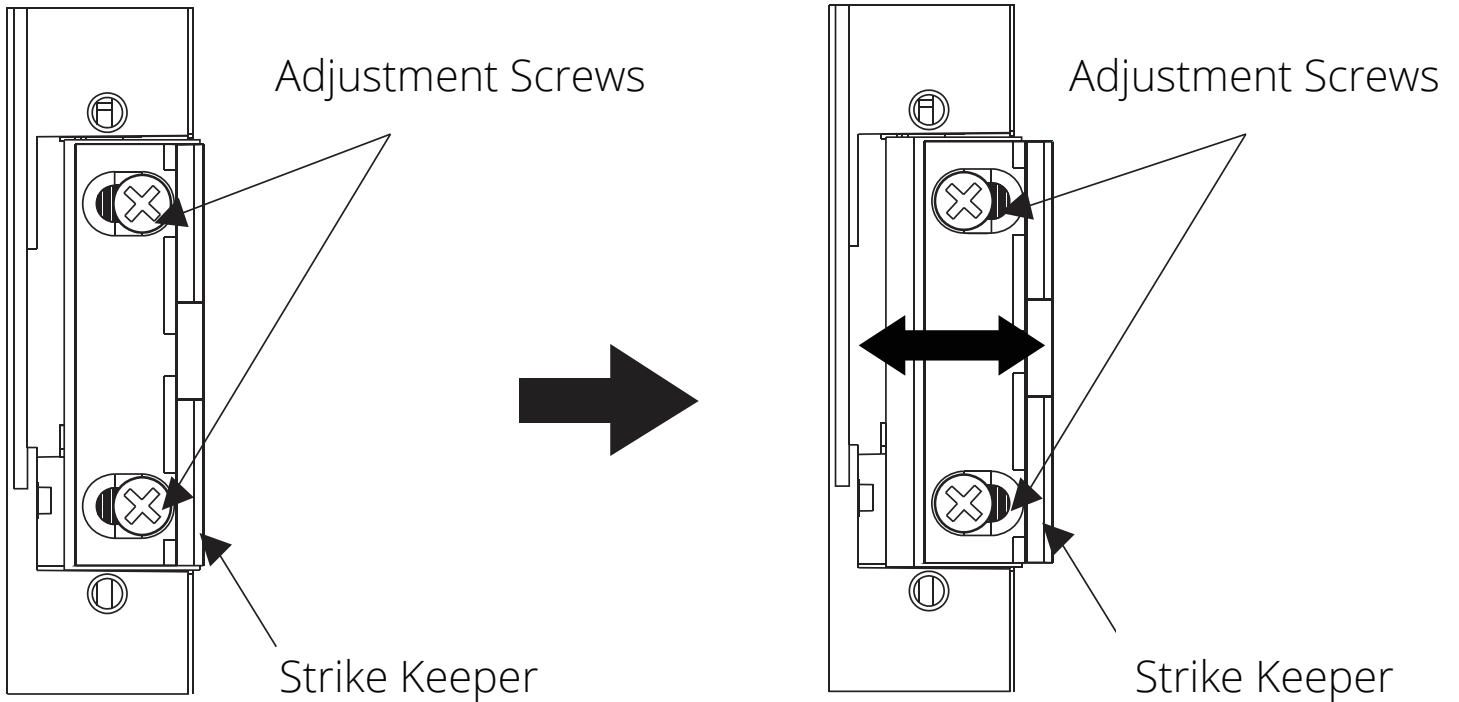
Electric Latch with Signal
and Door State, NO
12 / 24V DC



Data Sheet

DIMENSIONS (mm)	200 x 25 x 43 mm
MATERIAL	Stainless Steel
OPERATION MODE	NO / Fail-Safe
SIGNAL	With Signal
VOLTAGE	12 / 24V DC
RESISTANCE STRENGTH	680 Kg
PRELOAD	up to 227 Kg

Adjust Strike Keeper



The strike keeper can be adjusted up to a maximum of 3 mm to ease the installation on doors that may be warped. To adjust, simply loosen the indicated screws and adjust the protector to the required distance. The strike keeper allows the latch to open and close without the need to make or drill additional holes in the door.

Door Opening - direction

