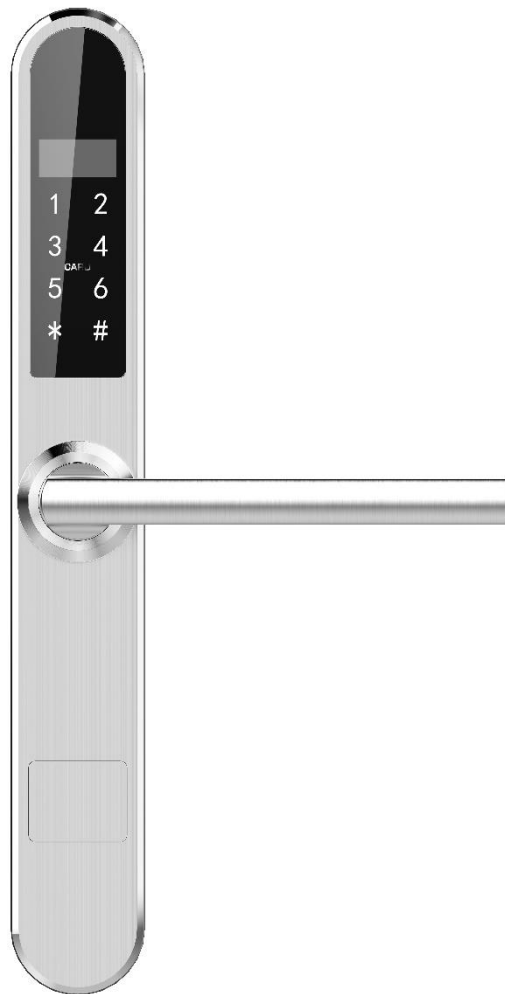




## Standalone Electronic Lock (Code, MF Card and Fingerprint)



### ATTENTION:

1. Keep mechanical keys in a safe place different from the lock installation place, so that in case of emergency/breakdown the door can be opened mechanically.
2. Pay attention to the battery level to be able of replacing the batteries on time.
3. Read the manual carefully before the installation and keep it safe for its future use.

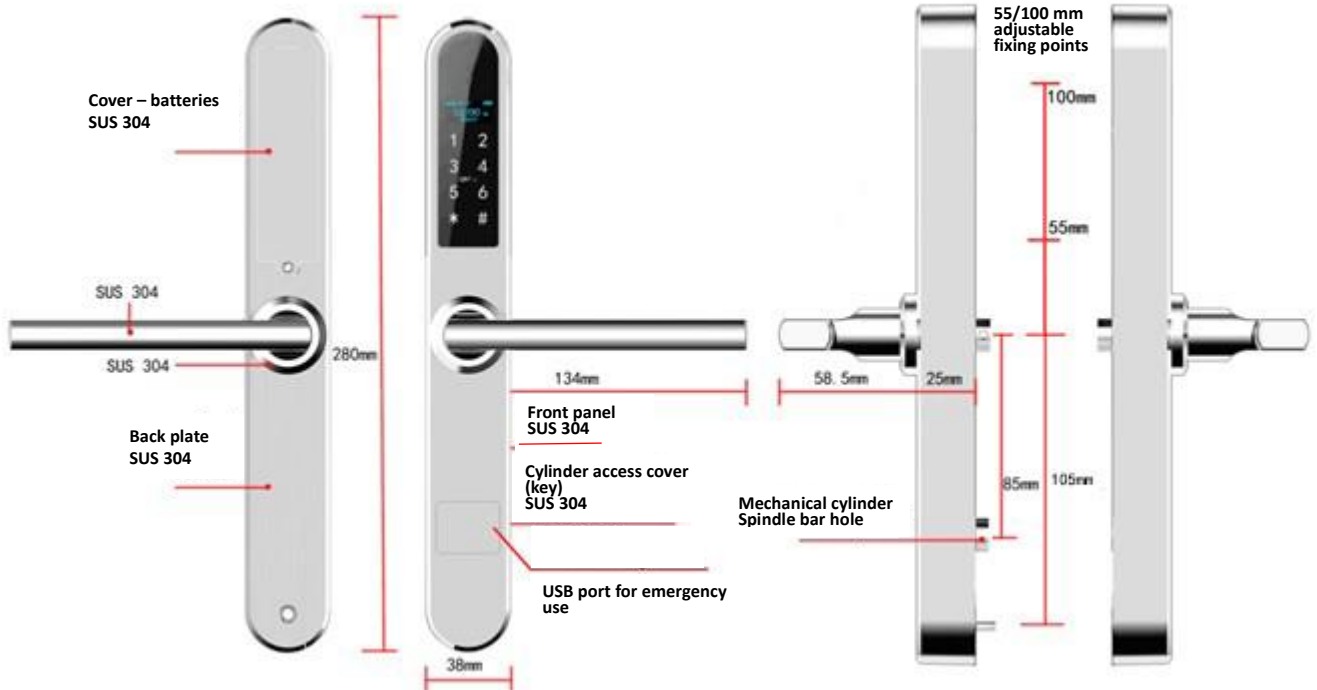




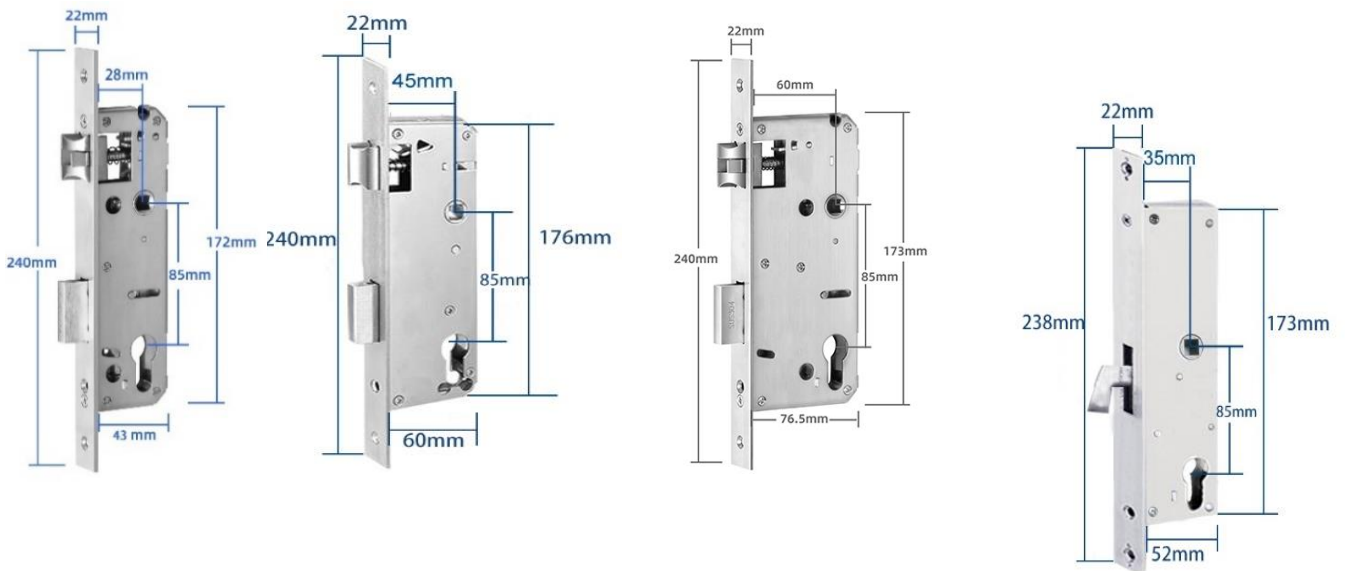
# Triplo W



## Dimensions



## Types of Mortice/Mechanical Locks



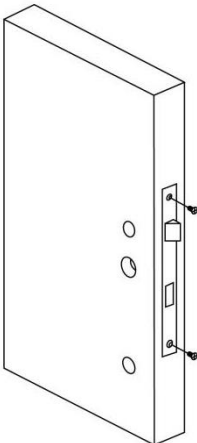
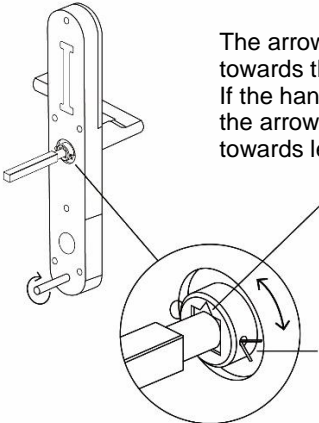
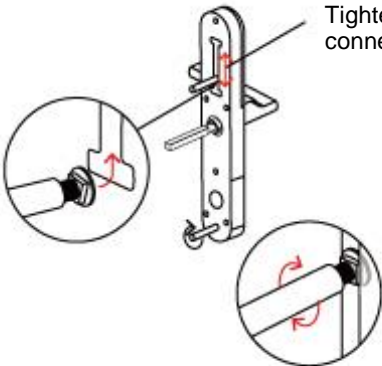
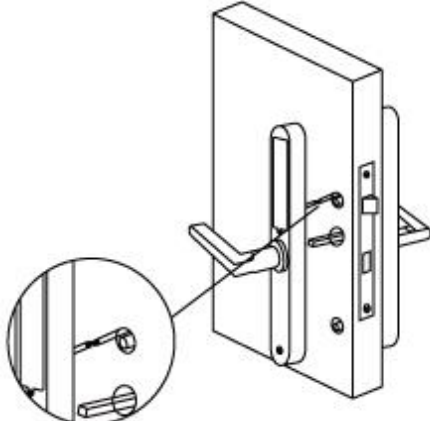
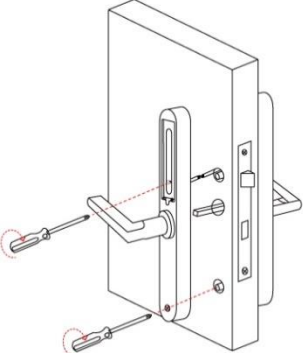
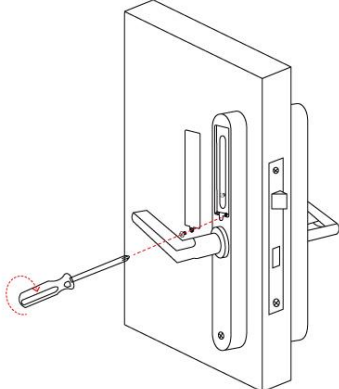
28*85	45*85	60*85 (security)	35*85 (hook)
Aluminum/PVC Doors	Wooden/Metal Doors	Wooden/Metal Doors	Sliding Doors





## Installation

### Installation Diagram

<p><b>1 – Mortise lock installation</b></p> 	<p><b>2 – Spindle bar</b></p>  <p>The arrow needs to be pointing towards the handle. If the handle is towards left/right, then the arrow needs to be pointing towards left/right.</p> <p>Insert the split pin to fix the spindle bar in place.</p>
<p><b>3 – Setting up the back plate</b></p>  <p>Tighten the two threaded connector nuts</p>	<p><b>4 – Wire connection</b></p> 
<p><b>5- Lock Mounting</b></p> 	<p><b>6 – Battery installation</b></p> 

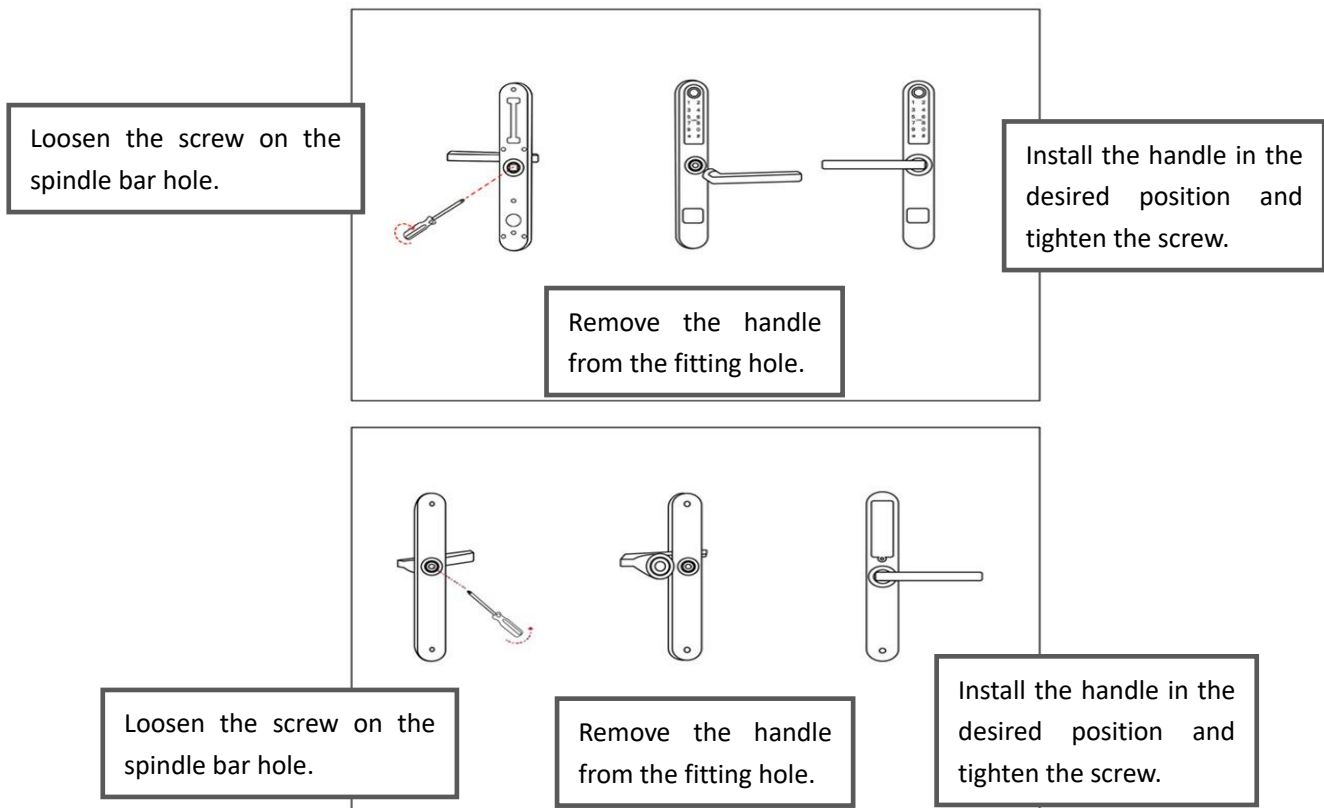




## Turn the handle

### ATTENTION:

There is an arrow in the spindle bar fitting hole, which should be looking towards the handle so that the lock works properly, otherwise, the lock will not open electronically.





## Specifications

Model	TW30A
Materials	SS304
Front plate size	280*38*25mm
Back plate size	280*38*25mm
Weight	2.5KG
Opening methods	Code Proximity card Mechanical key
Colour	Silver (Stainless)
Types of door	Aluminium/PVC doors Wooden/metal doors Sliding/swing doors
Voltage/Battery	6V/4x AAA batteries
Door width	30-80mm
Storage capacity	500 Codes 500 Cards
Operating temperature	-30°C-60°C
Operating humidity	20%-90%
Low voltage alarm	Less than 4.5V





## Programming instructions

### Keypad functions

Key	Function
2	↑ UP
6	↓ DOWN
3	← LEFT
4	→ RIGHT
*	EXIT PRESS FOR 3S TO ACCESS THE MENU
#	OK

### Setting

#### System initialization – Method 1

##### Lock initialization:

Open the battery compartment at the back panel and press the RESET button for 5 seconds.

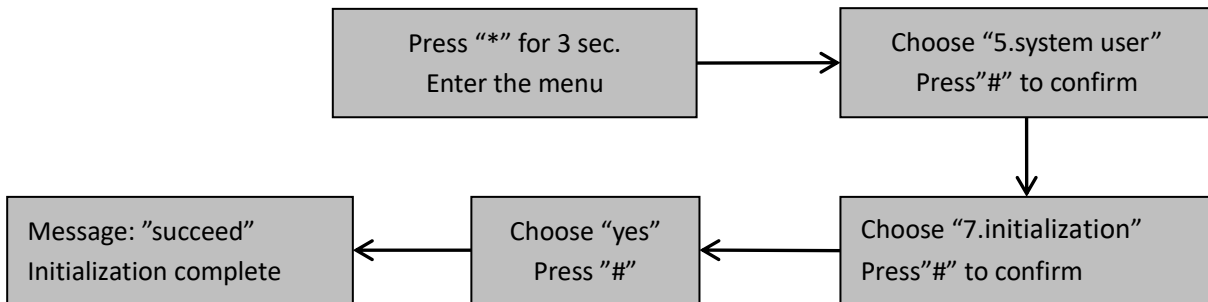
(The RESET button is marked in an orange circle in the image).

The initialization will be complete when the message “Del Done” is displayed.

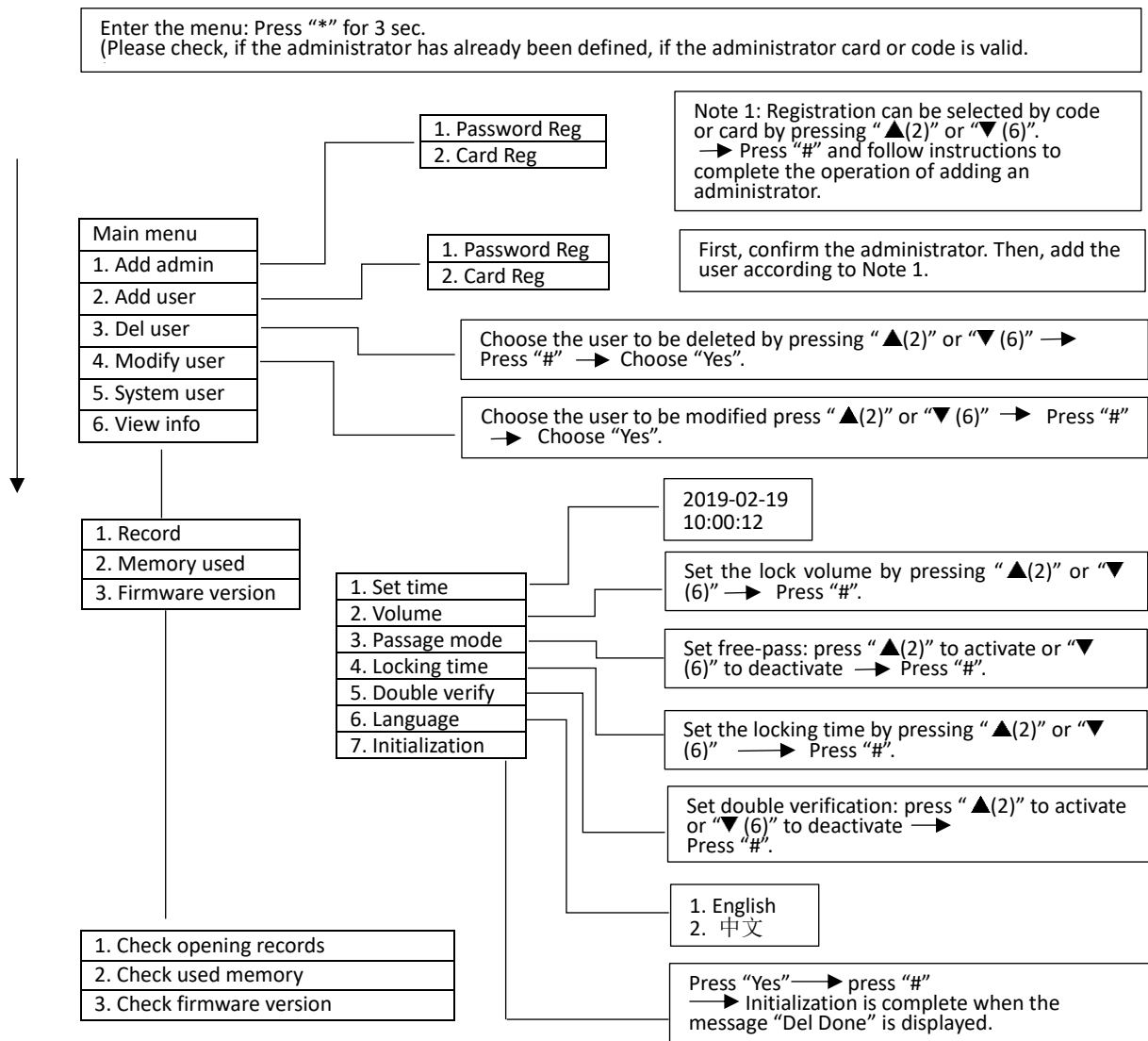




## System initialization – Method 2



## User management





# Triplow W



## List of components

Image				
Name	Front panel (1)	Back panel (1)	Instruction manual (1)	Mortice lock (1)
Image				
Name	Armature plate (1)	Fixing screw for armature plate (4)	Mechanical keys (3)	Tag MF (Optional)
Image				
Name	Spindle bar (2)	Split pin for the spindle bar (1)	Fixing screw (3)	Threaded connector nut (3)











# Triplow W



Image				
Name	Waterproof protection rubber sheet (2)	Fixing screw 1 (2)	Fixing screw 2 (4)	TW-GATE (Optional)





# Triplo W



## Warranty

Client Name: \_\_\_\_\_

Client Phone Number: \_\_\_\_\_

Purchase Date: \_\_\_\_\_

Product: \_\_\_\_\_

Model: \_\_\_\_\_

### Note:

- 1) Please keep this manual in order for you to be able of using it when the warranty service is needed.
- 2) The warranty has a two-year validity from the purchase date.
- 3) Equipment are protected against factory defects starting from the purchase date.

The warranty does not protect against breakdowns caused by a misuse of the system, by a deficient electric installation not checked by Triplo W., by natural disasters like: storms, floodings or similar, nor by wear components depending on use.

Seal and Signature of the Dealer

