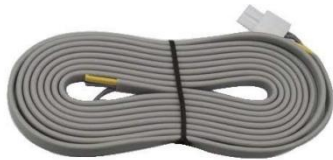




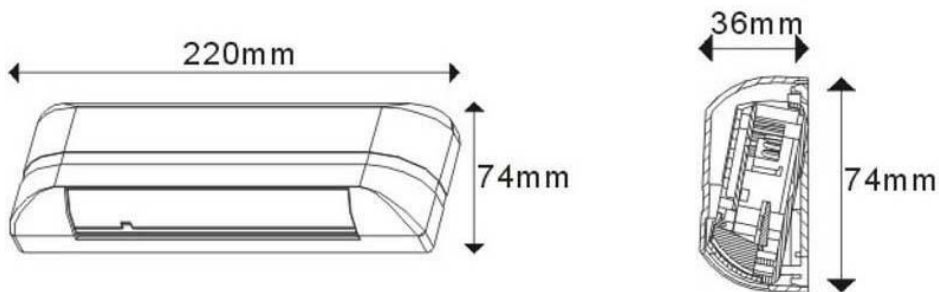
Infrared Motion Sensor



MTW204E

- Model: MTW204E
- Infrared sensor
- Function: motion detection
- Maximum height of installation: 3 meters
- Switch: to adjust sensitivity / detection angle
- Power supply: AC/DC12-24V+-5%
- Consumption: <2,5VA
- Status LED: Green-standby, red-detected signal
- Dimensions: 220 x 74 x 36 mm
- Weight: 500g
- Colour: silver

Dimensions

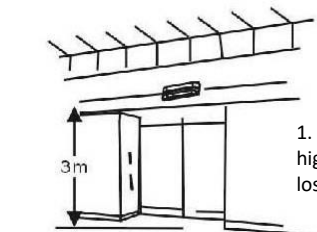




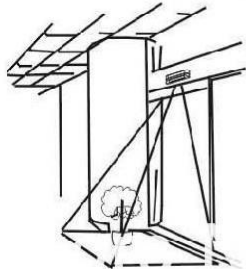
Triplow



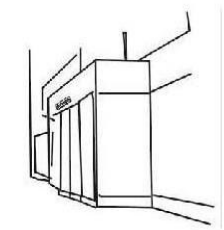
Installation tips



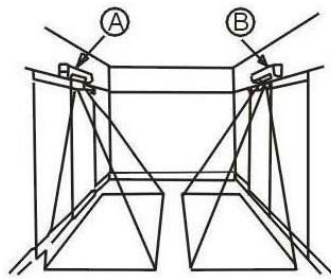
1. Installation at a maximum of 3m high so sensitivity does not get loss.



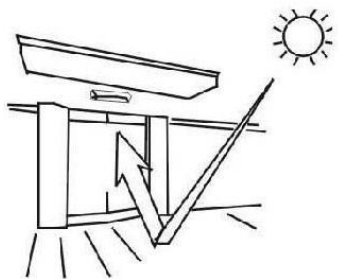
2. Do not place objects that can be moved easily (flowers, trees) within the area of detection.



3. Avoid placing the connector in places that receive direct exposure, vapours, fluorescent lights, any type of gas, and lights that can cause any detection error.

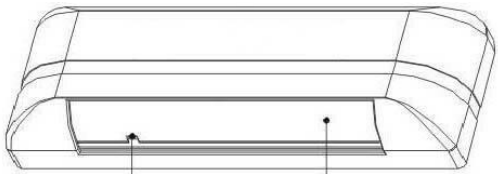


4. When there are several sensors, consider the detection area of such sensors so they do not coincide.

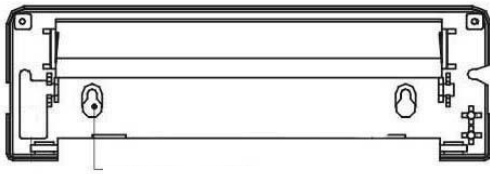


5. If the sensor is exposed to sun light be careful with the glare.

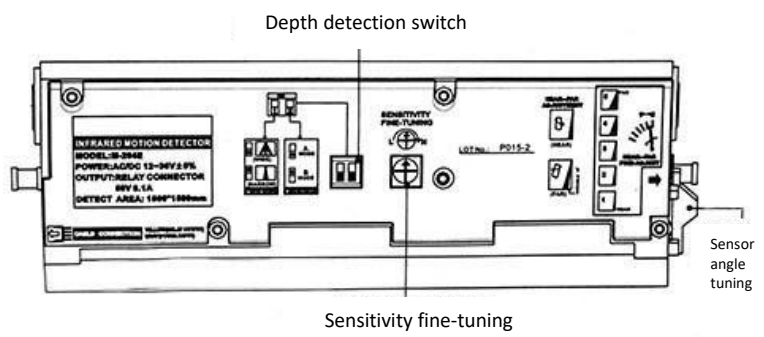
Connections



Status LED Lens



Fixing hole



Depth detection switch

Sensitivity fine-tuning

Sensor angle tuning

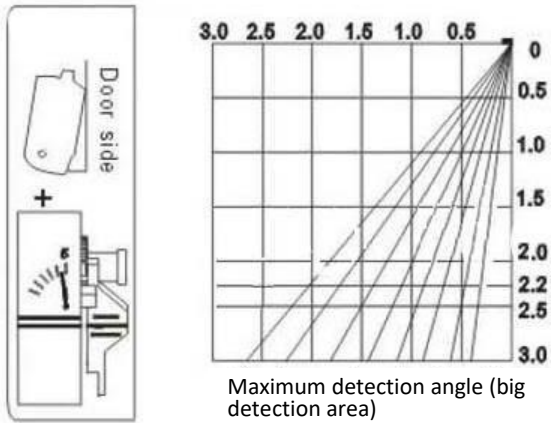




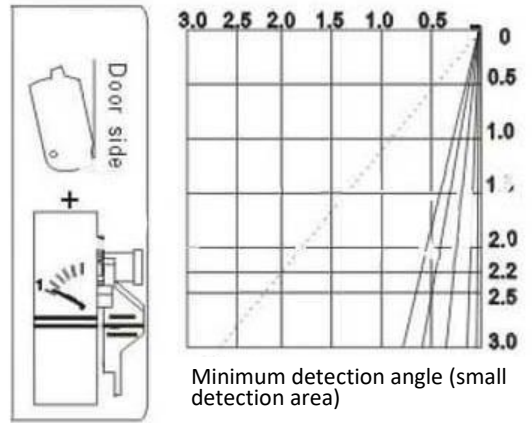
Triplow W



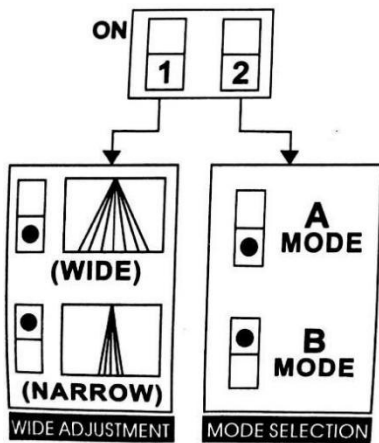
Adjusting parameters



Adjust reach



Adjust sensitivity



Switch 1: to adjust reach.
 Switch 2: operation mode selection, change operation mode only when there is more than one sensor in place.



L - less sensitivity
 H - higher sensitivity





Lights and Sounds

| Symptom | Possible Causes | Correcting Measure |
|--|---|---|
| No sensor response (LED off). | Sensor is off. | Check connections and power supply. |
| Door opens and closes constantly. | 1. Sensor "sees" door movement. | Increase tilt angle or reduce the sensitivity. |
| | 2. When doors closes it produces a vibration that sensor detects. | Check that the sensor is well fixed and decrease the sensitivity. |
| Door opens up with no apparent reason. | 1. Moving objects within the detection area. | Remove objects and if necessary, adjust sensitivity. |
| | 2. Detection area outside parameters. | Adjust angle and sensitivity. |

Warranty

All products marketed by Triplo W, Lda., have a two year warranty for manufacturing defects. All equipment sold is checked in our facilities in case of a breakdown, and if it cannot be repaired, then it will be replaced by a new equipment, under the corresponding warranty. For more information check our terms and conditions at: <http://www.triplow.pt/loja/termos-e-condicoes>

