



Triplow W

5U0X10



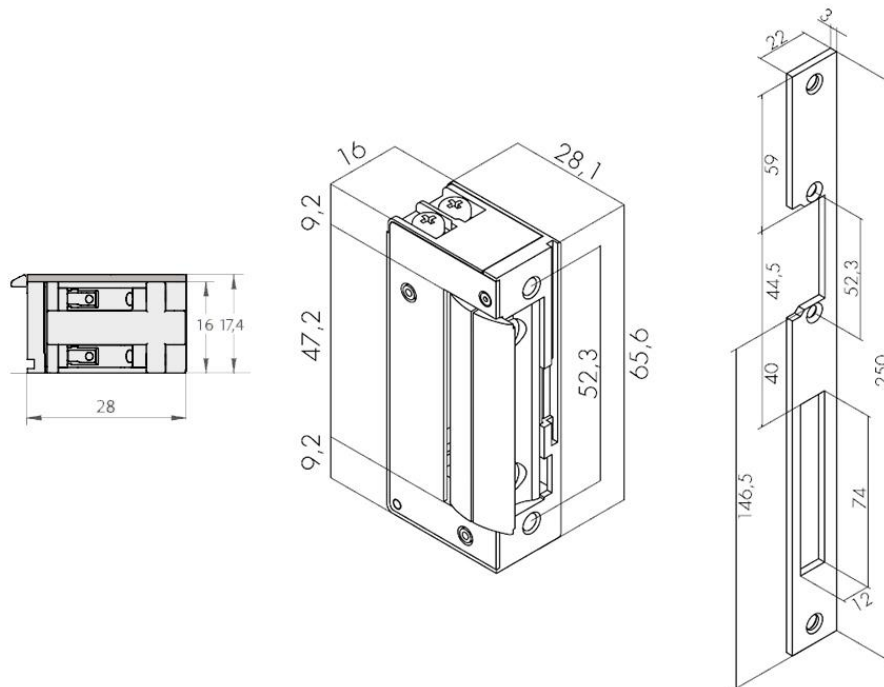
Small Electric Latch (NO Type), 9-24V AC/DC



Specifications

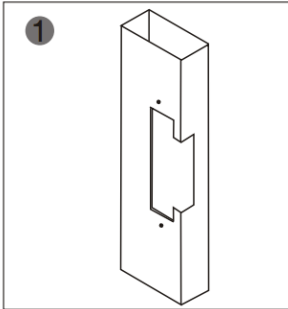
Power Supply	9-24V AC/DC
Current	DC-280mA AC-250mA
Type of Opening	NO Fail-Secure
Suitable for	Metal doors, wood doors
Latch	Adjustable
Dimension	65.6 (L) x 16 (L) x 28 (A) mm
Holding Force	Up to 5000 N

Dimension

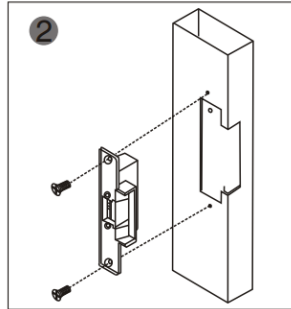




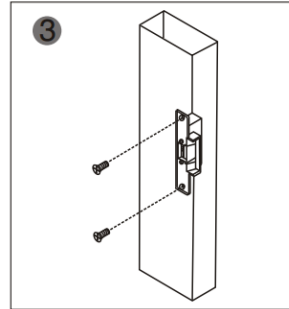
Drilling Diagram



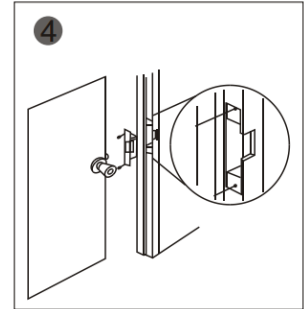
1 Cut a hole according to the size of the latch.



2 Mount the lock and connect the power to perform a test.



3 Fit in the electric latch.



4 Finished.

Warranty

Every product marketed by Triplo W Lda., have a two-year warranty for manufacturing defects.

Every equipment sold is checked at our facilities for defects; and if it is unrepairable, it shall be replaced with a new product, according to the corresponding warranty.

For additional information check our conditions of sale at:

<http://www.triplow.pt/loja/termos-e-condicoes>