



# Triplow

5U4X10



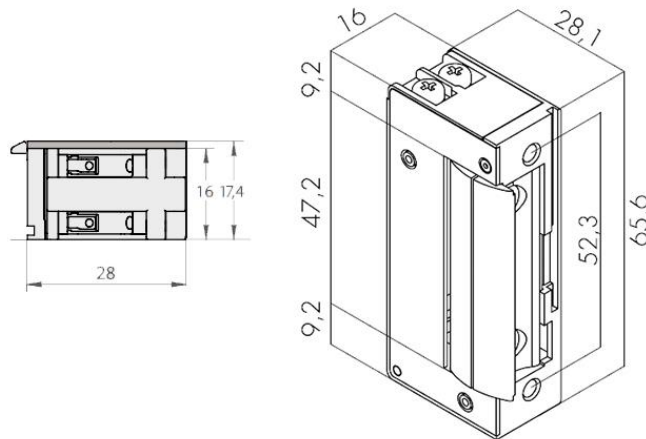
## Small Electric Latch (NC Type), 12V DC



### Specifications

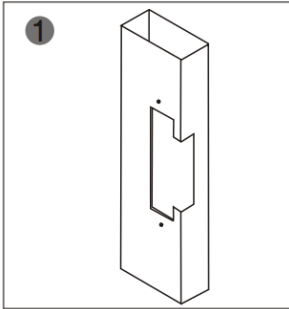
<b>Power Supply</b>	12V DC
<b>Current</b>	DC-280mA
<b>Type of Opening</b>	NC Fail-Safe
<b>Suitable for</b>	Metal doors, wood doors
<b>Latch</b>	Adjustable
<b>Dimension</b>	65.6 (L) x 16 (L) x 28 (A) mm
<b>Holding Force</b>	Up to 5000 N

### Dimension

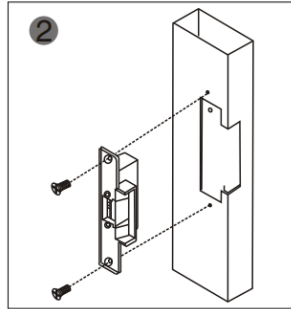




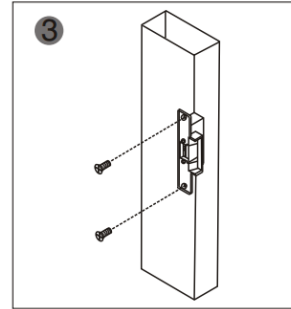
## Drilling Diagram



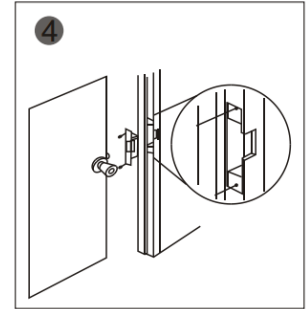
1  
Cut a hole according to the size of the latch.



2  
Mount the lock and connect the power to perform a test.



3  
Fit in the electric latch.



4  
Finished.

## Warranty

Every product marketed by Triplo W Lda., have a two-year warranty for manufacturing defects.

Every equipment sold is checked at our facilities for defects; and if it is unrepairable, it shall be replaced with a new product, according to the corresponding warranty.

For additional information check our conditions of sale at:

<http://www.triplow.pt/loja/termos-e-condicoes>