



TECHNICAL SHEET

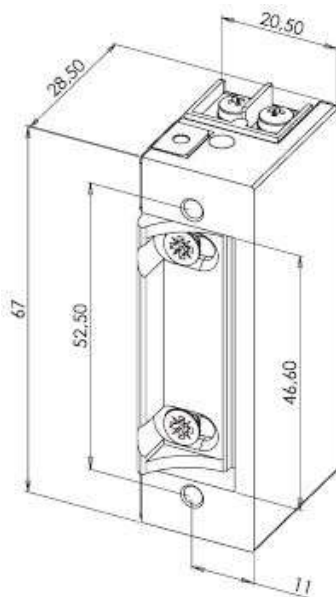
Electric Latch 12/24V, AC/DC

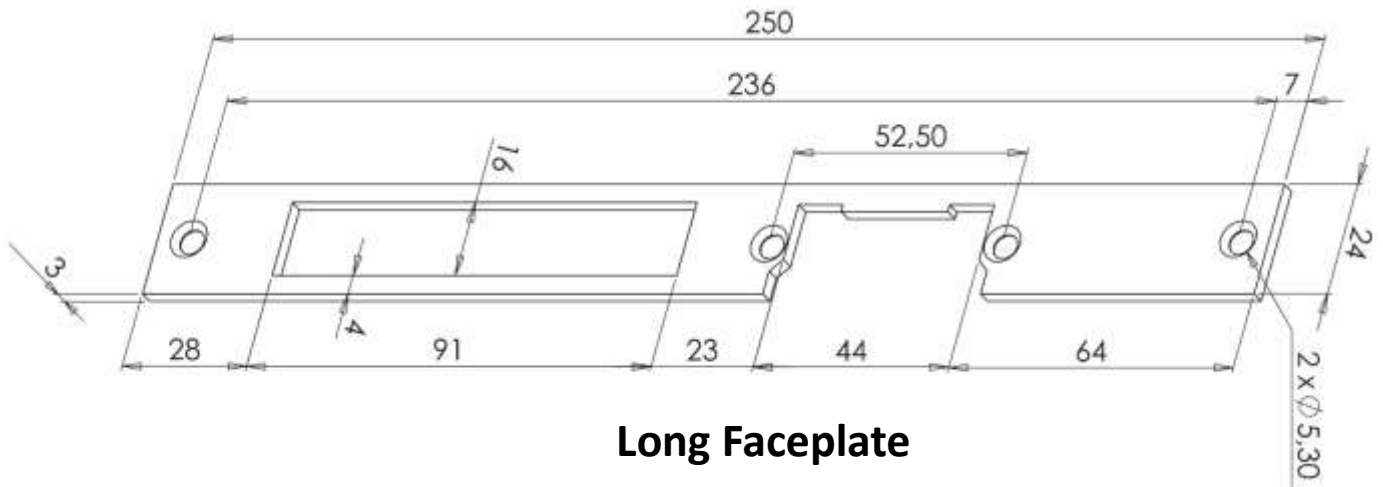
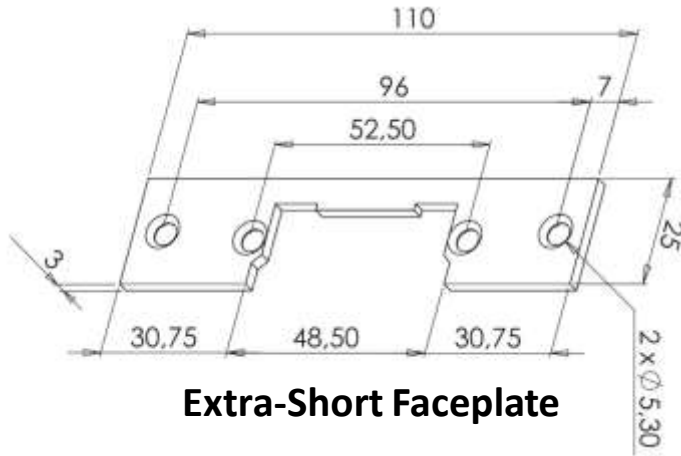


SE3/SE1

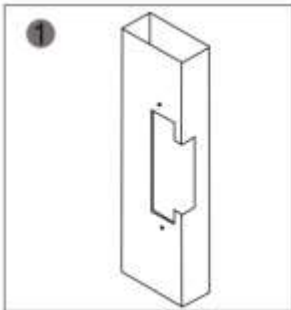
Power Supply	12V DC (SE3) y 12/24V AC/DC (SE1)
Type of Opening	NC – Fail-Safe (SE1) NO – Fail-Secure (SE3)
Suitable for	Metal doors, wood doors
Latch	Adjustable
Dimension	67 (L) x 20.5 (L) x 28.5 (A) mm

Dimension

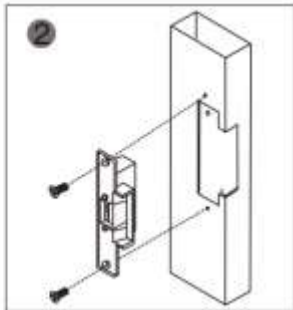




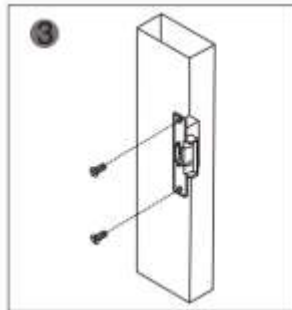
Drilling Diagram



1 Cut a hole according to the size of the latch.



2 Mount the lock and connect the power supply to perform a test.



3 Fit in the electric latch.



4 Finished.





Warranty

Every product marketed by Triplo W Lda., have a two-year warranty for manufacturing defects. Every equipment sold is checked at our facilities for defects; and if it is unrepairable, it shall be replaced with a new product, according to the corresponding warranty.

For additional information check our conditions of sale at:
<http://www.triplow.pt/loja/termos-e-condicoes>

