



YLI ELECTRONIC

Exit button isolated barrier

Model: SEP-513-EX

Specification

Product size: 73Lx56Wx23.5H(mm)

Uo: 13.8V; Io: 100mA

Co: 0.76μF ; Lo: 3mH

Po:1.38W

Intrinsically electrical parameters:
(Between the terminal 1 and 2)

Operating temperature: -20°C~+55°C

Product weight: 0.15kg

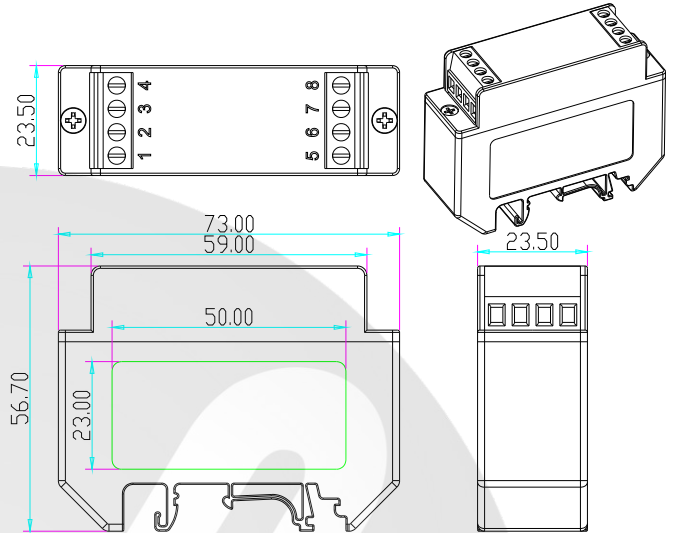
Certificate numbe:ECM 23 ATEX-B DN 89

ATEX:II 1G Ex ib IIC T6 Gb

II 2D Ex ib IIIC T85°C /T100°C Db

Patent No: 202230622215.2

Dimensions (Unit:mm)



Diagram

Access controller



Exit button interface
PUSH 5
GND 8

Signal isolated barrier



1
4



Explosion-proof push button

Switch which is not need to be energized shall be equipped with signal isolated barrier

Access controller



Exit button interface
PUSH 5
GND 8

Signal isolated barrier



1 NO
4 COM



12VDC Power supply
+ 5
- 6



1 +
2 -



Exit button isolated barrier

Explosion-proof infrared button
Explosion-proof touch button

Switch to be energized shall be equipped with exit button isolated barrier and signal isolated barrier