



TRIPLO W
Chamos Segurança

TW8671

Electronic Lock Standalone or APP
Code and Card

Installation Guide
Data Sheet



iOS



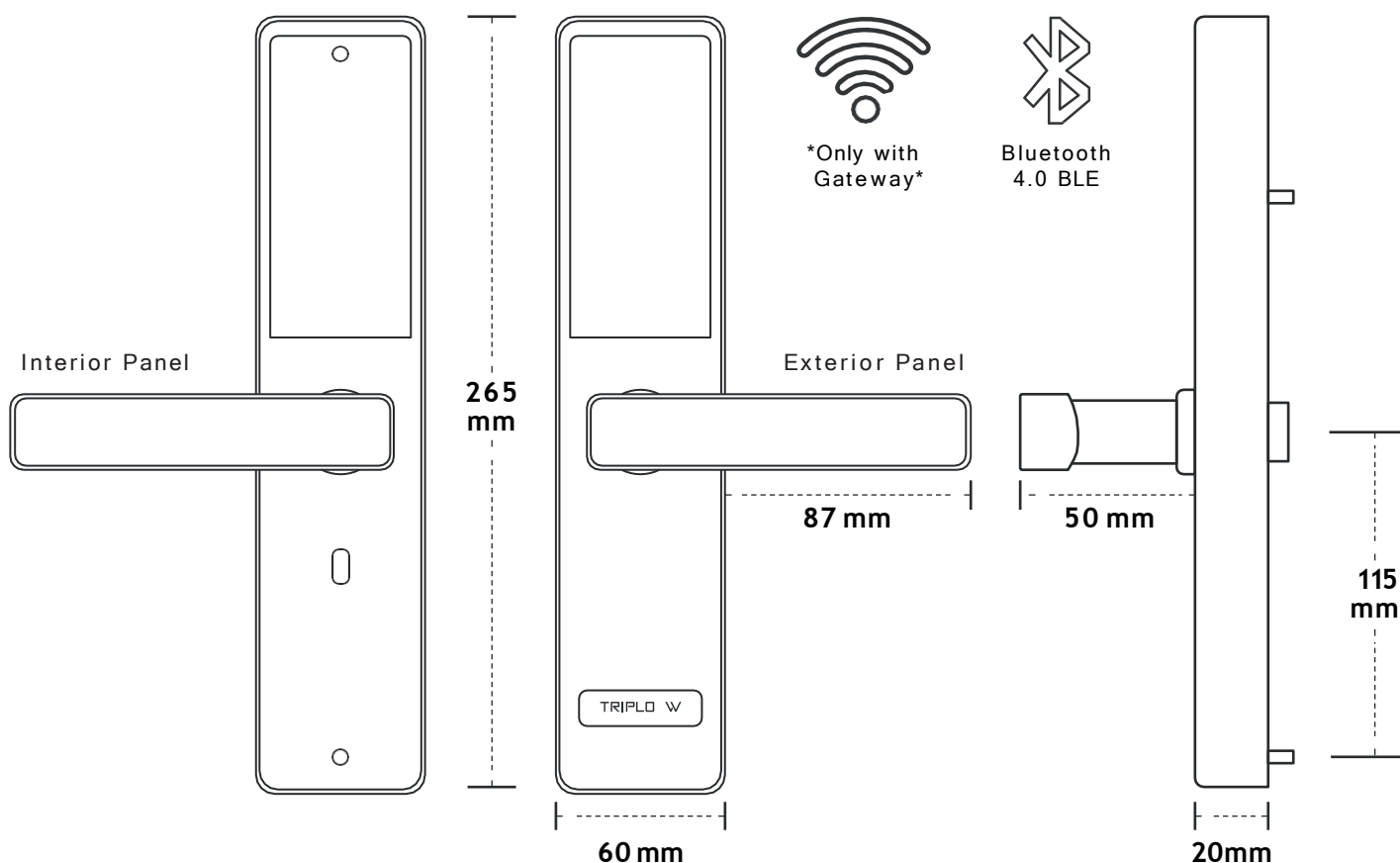
ATTENTION:

Please read the manual carefully before installation and keep it for future use.

Keep the mechanical keys in a safe place to be able to open the door mechanically in case there is an emergency or if the lock breaks down.

Pay attention to the battery level in order to replace the batteries in time.

www.triplo.w.pt



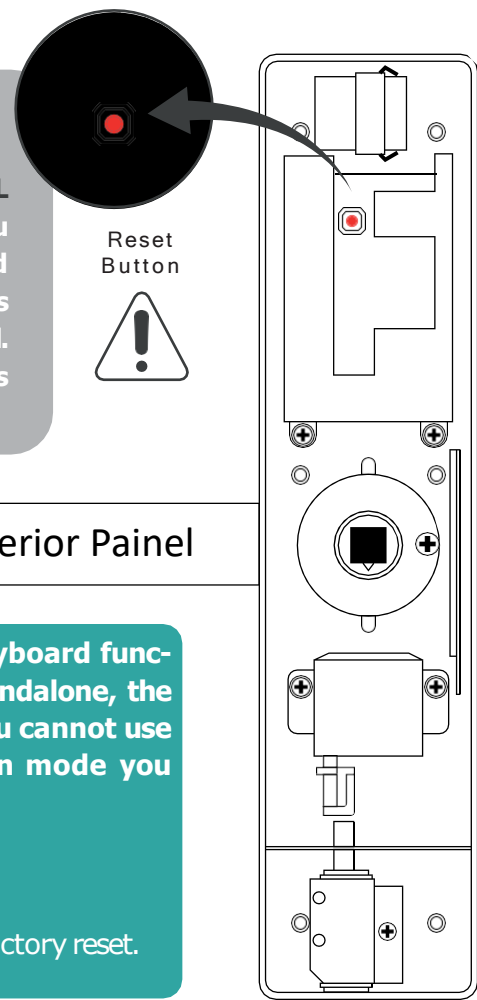
Data Sheet

MODEL	TW8671
PANELS (mm)	265 x 60 x 20 mm
TYPES OF OPENING	Bluetooth, APP, Code, Proximity Card Mechanical Wrench
AVAILABLE COLORS	Silver / Black
DOOR TYPES	Wood / Metal / Sliding Doors
THICKNESS OF DOORS (mm)	35 - 55 mm
OPENING RECORDS	Up to 1000 records
WORKING TEMPERATURE (°C)	-25th +65th
WORK HUMIDITY (%)	5% ~ 95%RH
BATTERIES/VOLTAGE	4 x AAA 1.5V batteries
SOS ENERGY INPUT	Micro USB DC 5~7V
LOW VOLTAGE ALARM (V)	Less than 4.8V

Factory Reset

DELETE ALL SETTINGS AND USER CARDS/CODES

BEFORE completely assembling the lock, we advise to do a **MANUAL RESET**. The **RESET** button is located inside the front panel - to access it you will have to dismantle the back of the front panel, put the batteries and connect both panels using the power cable. To do the **RESET**, just press the **RESET** button continuously for **5 seconds** until the lock emits a sound. Then enter **"000#"** on the keypad on the exterior panel. The reset process is complete and the lock is ready to be paired.



Operating Mode: Standalone or Bluetooth

- The lock works either as a standalone device controlled by keyboard functions or by Bluetooth connection. If the device is set to work standalone, the Bluetooth is deactivated and if it set to work by Bluetooth (APP) you cannot use the keyboard functions. Factory reset and choose the operation mode you wish;
- The factory default code is "123456";
- The Administrator master code cannot be deleted unless the lock is factory reset.

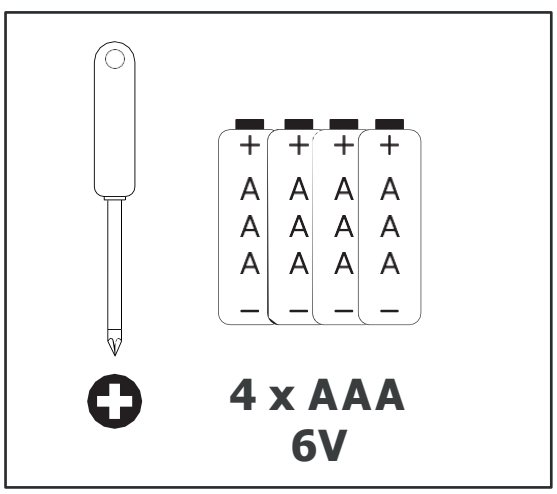
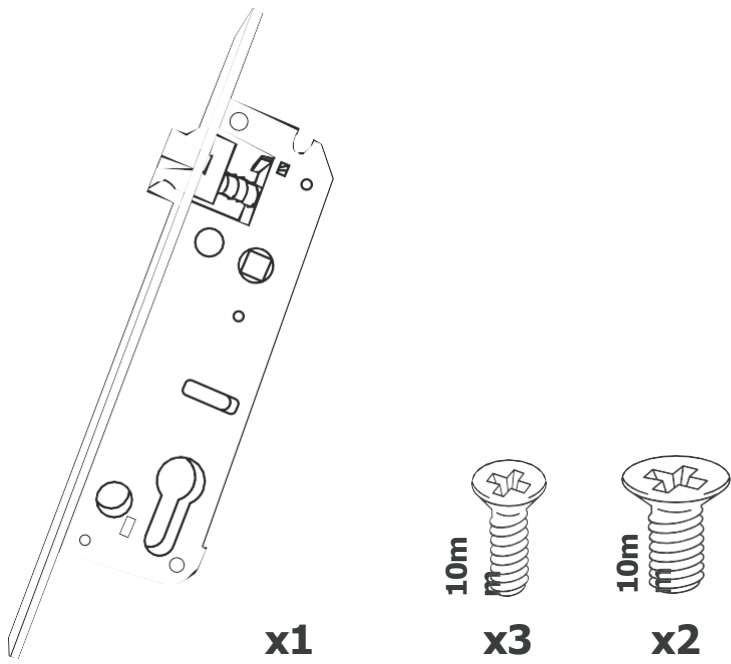
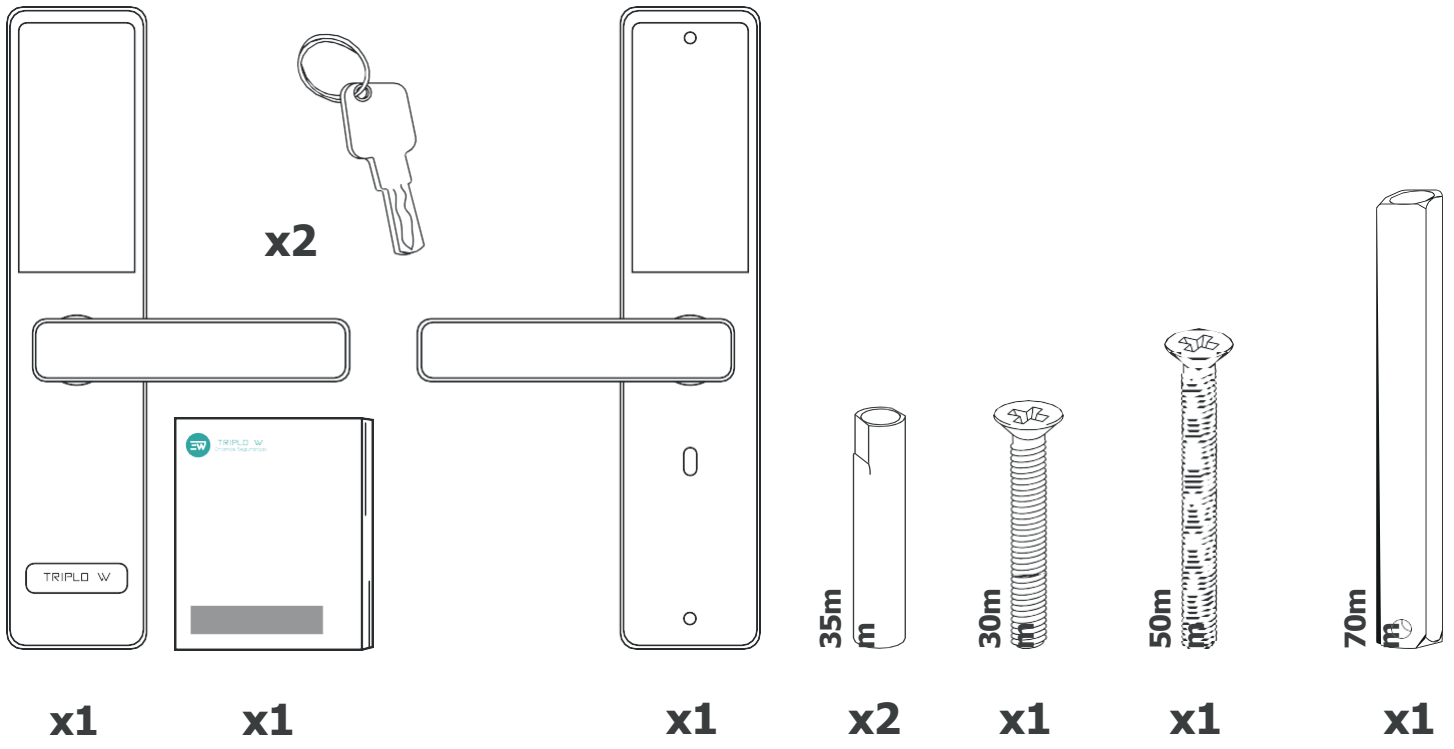
Keyboard Operation (Standalone Mode)

FUNCTION	KEYBOARD OPERATION
1. Change Master Code <i>Code lenght: 6 digits</i>	(without Administrator - factory default code) *12 #123456 #(New Master Code) #(Repeat New Master Code) # (with master code already changed) *12 #123456 #(Master Code) #(New Master Code) #(Repeat New Master Code) #
2. Add Codes <i>Code lenght: 6 ~ 9 digits</i>	* 80 #(Master Code) #(Code) # (Repeat Code) #
3. Delete Codes	<i>Erases ALL codes except for the Administrator</i> * 71 # (Master Code)
4. Change Codes	* 10 #(Current Code) #(New Code) # (Repeat Code) #
5. Add Cards	* 80 #(Master Code) #(Swipe the Card in the Reader)
6. Delete Cards	<i>Erases ALL cards</i> * 69 # (Master Code) #

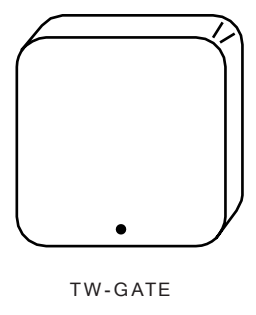
1 BIP - Repeat | 2 BIP's - Configuration Mode

3 BIP's - Incorrect access / Operation failure | 4 BIP's - Memory full / Access not registered

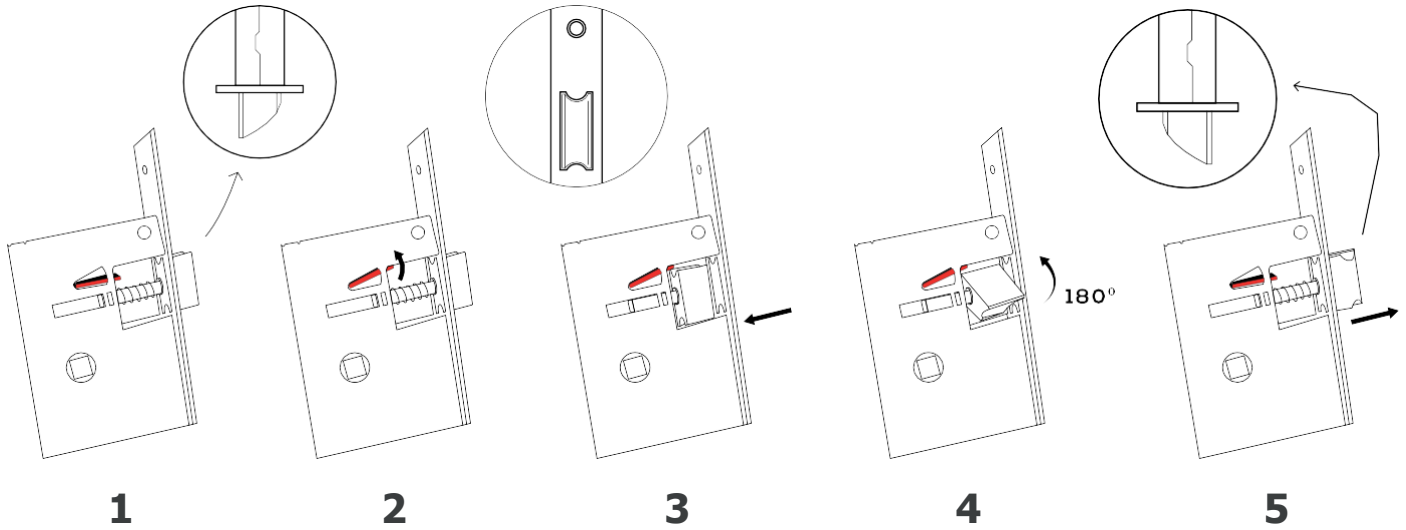
Package Content



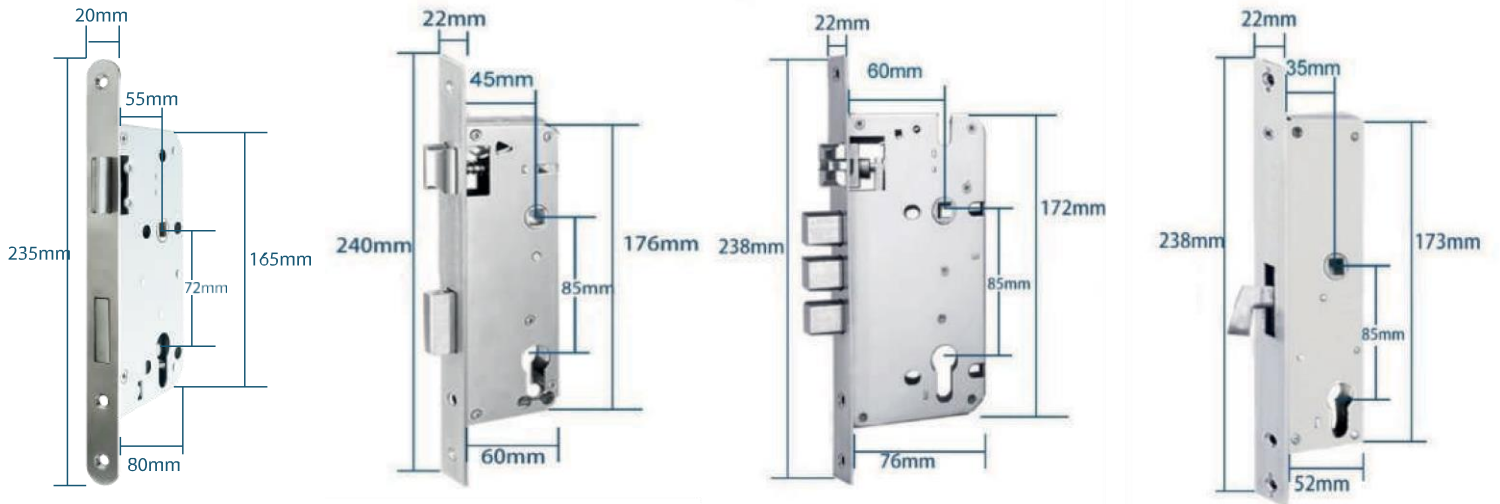
**NOT INCLUDED
(optional)**



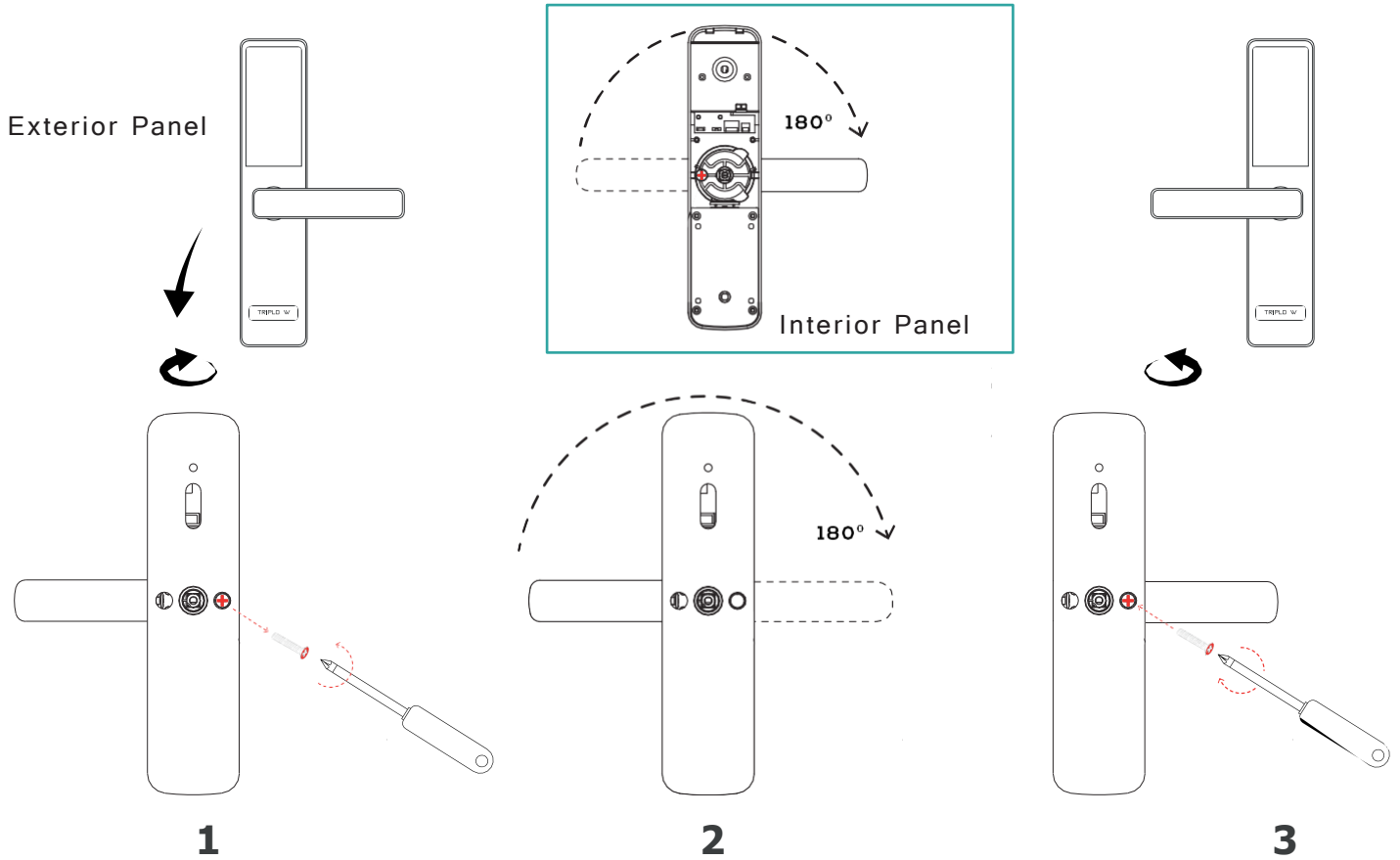
Reverse Latch



Compatible Mechanical Locks



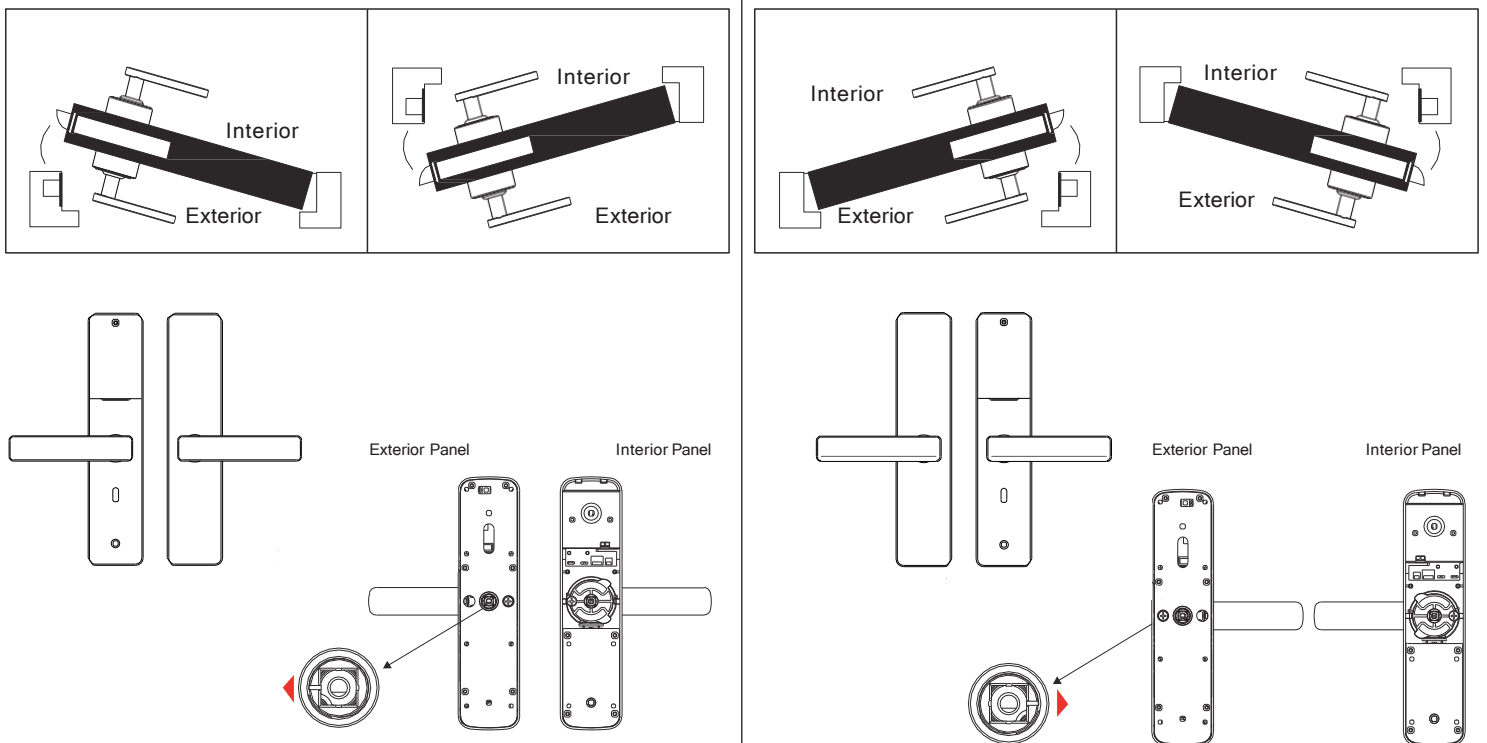
55 x 72	45 x 85	60 x 85	35 x 85
Metal / Wood Doors	Metal / Wood Doors	SECURITY Metal / Wood Doors	Hook Sliding Doors



Door Opening - direction

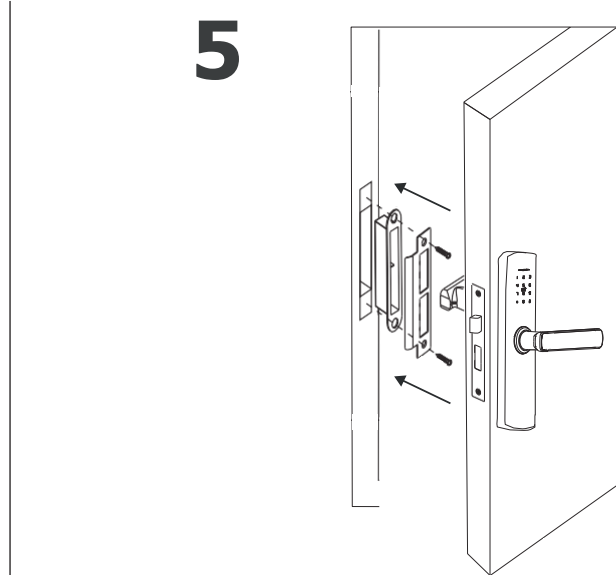
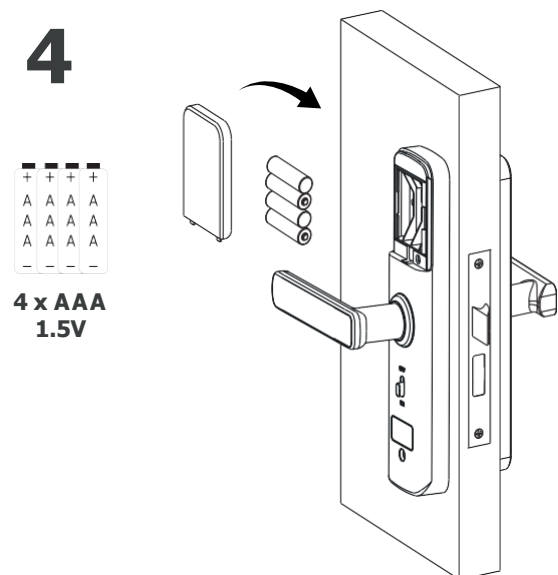
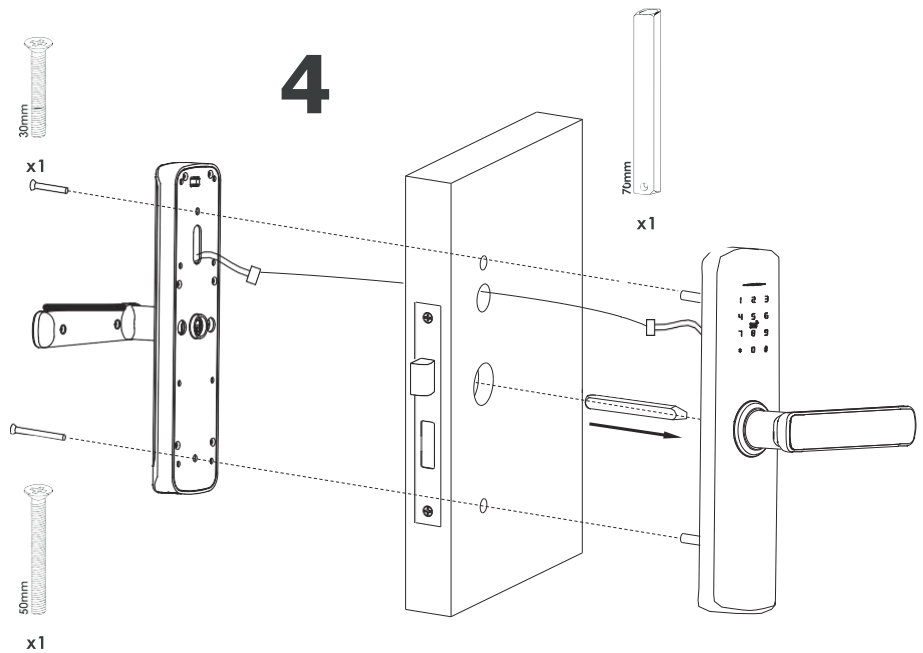
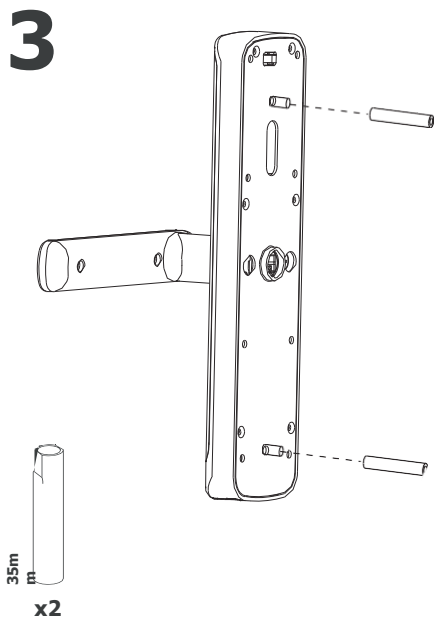
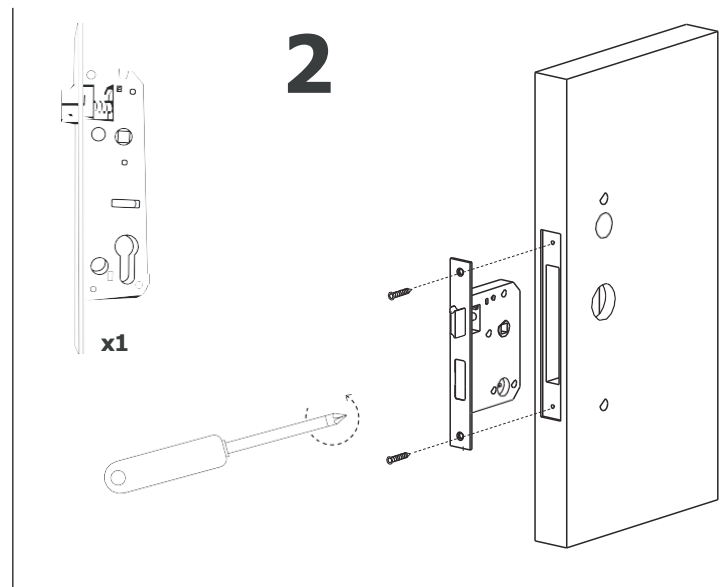
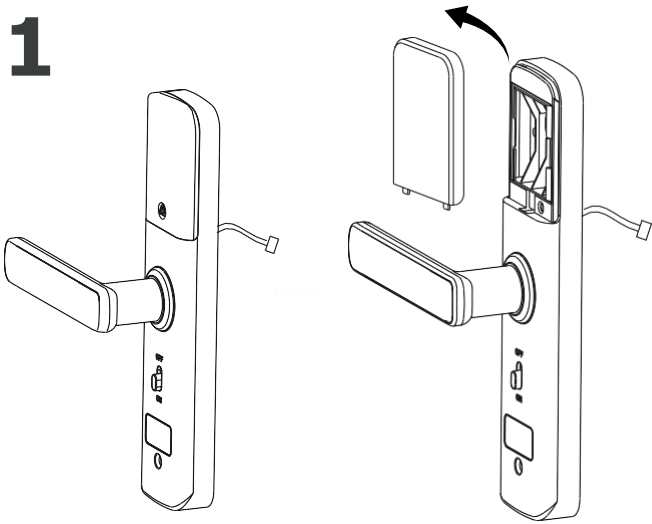
Right Opening Door

Left Opening Door



Single Latch - the arrow must be positioned on the same side as the handle

Latch and Tongue - the arrow should be positioned downwards, in the direction of the notch



TTLock Application Programming



TRIPLO W
Criamos Segurança!

Thank you for purchasing our product!

To pair and configure your lock, please use the QR code or the link to access the TTLock manual.



TTLOCK APP



www.triplow.pt/TTLOCK

