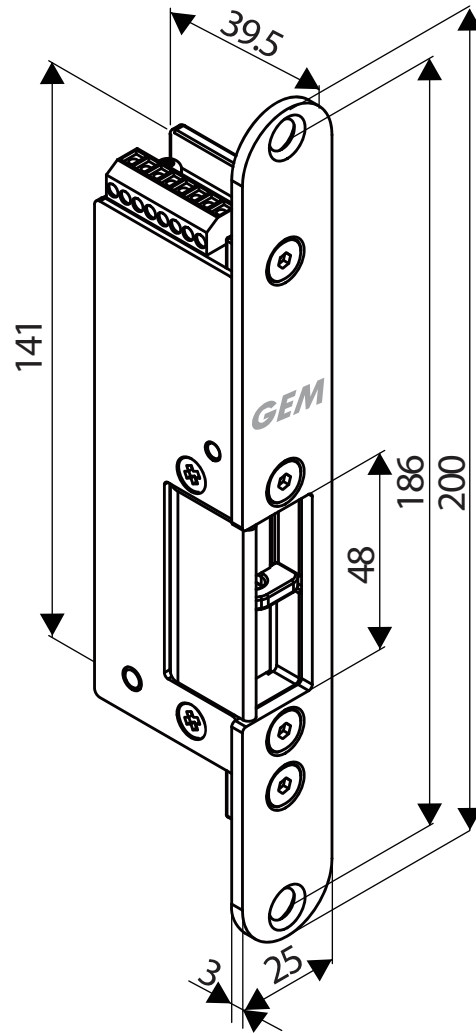




GK231F

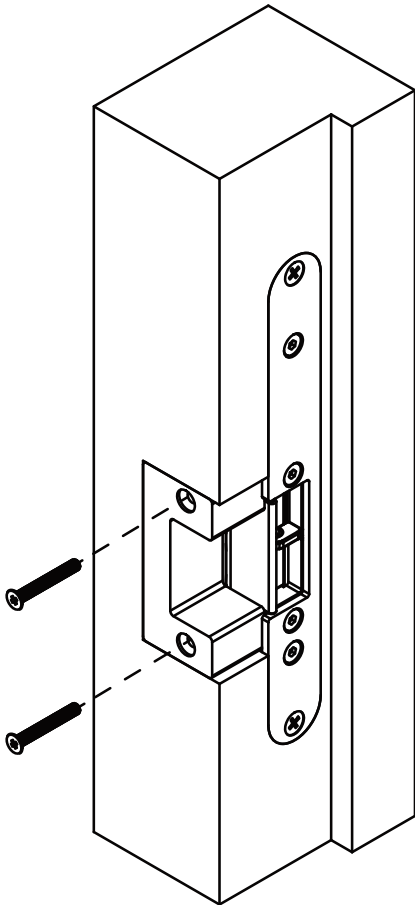
Electric Latch with Signal
NO Fail-safe, 12V DC
Fire Resistant



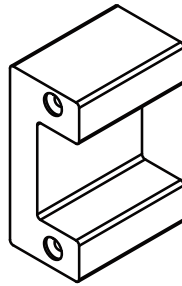
Data Sheet

DIMENSIONS (mm)	200 x 25 x 43 mm
MATERIAL	Stainless Steel
OPERATION MODE	NO / Fail-Safe
PROTECTION	Fire Resistant (NF S 61-937, BSEN 1634-1:2014, BSEN 1363-1:2012)
SIGNAL	With Signal
VOLTAGE	24V DC
RESISTANCE STRENGHT	680 Kg
PRELOAD	up to 227 Kg

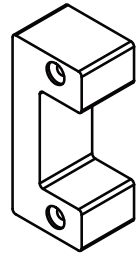
Accessories



Lip Extensions



Extension
50mm



Extension
25mm

Door Opening - direction

Left Opening Door

Right Opening Door

