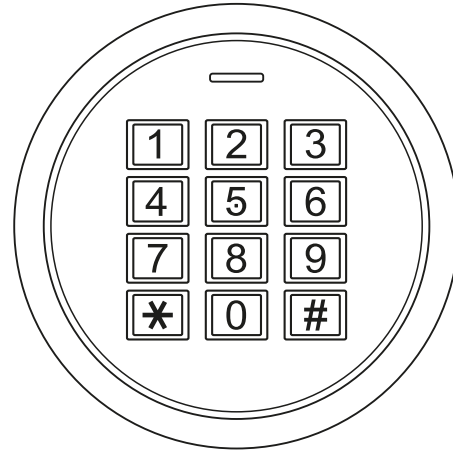


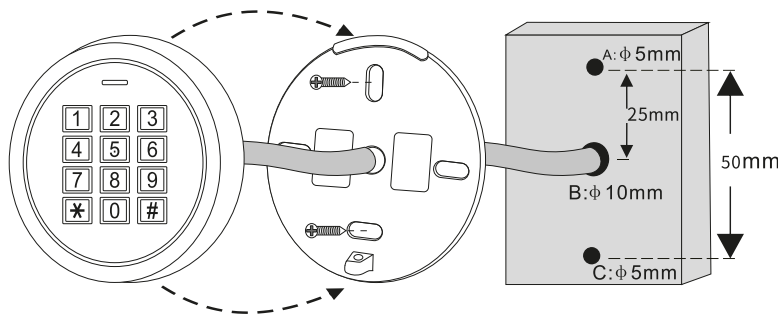


TW-K7

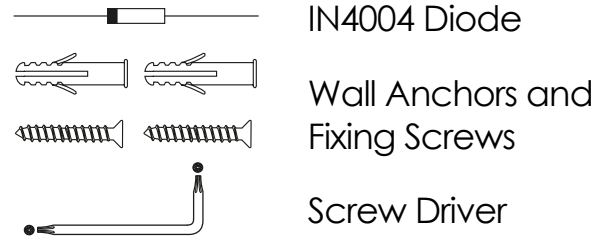
Standalone Access Control Code and Card



Installation



Components



Data Sheet

DIMENSIONS (mm)	73 x 73 x 20 mm
IP PROTECTION	IP66
TYPES OF OPENING	Code(4~6 digits), RF ID 125KHz Card
OPENING TIME	0~99s - 5s factory (undefined with Toggle Mode)
DATA CAPACITY	1000 Users (990 Common, 10 Visitors)
WORKING TEMPERATURE (°C)	-40°C ~ 60°C
WORK HUMIDITY (%)	0% RH ~ 98% RH
VOLTAGE	12~18V DC
IDLE CURRENT	< 60mA
WORKING CURRENT	< 150mA
READ RANGE	2 ~ 6 cm

FUNCTION	KEYPAD OPERATION
<p>1. Enter and Exit Programming Mode</p>	<p>Enter Programming Mode: * (Master Code) # Factory Default Master Code: 123456</p> <p>Exit Programming Mode: *</p>
<p>2. Change Master Code</p>	<p>Enter Programming Mode: * (master Code) # 0 (New Master Code) # (Repeat New Master Code) # Code Length: 6 digits</p> <p>Exit Programming Mode: *</p>
<p>3. Add Card</p> <p><i>Common ID's: 0 - 989</i> <i>Visitor ID's: 990 ou 999</i></p>	<p>Common Users (regular access) <i>Automatic User ID (the system assigns the ID automatically and in sequence)</i> * (Master Code) # 1 (Read Card) # * * (Master Code) # 1 (Card Number) # *</p> <p><i>Specific User ID (allows the Administrator to associate the card with a specific ID)</i> * (Master Code) # 1 (User ID) # (Read Card) # * * (Master Code) # 1 (User ID) (Card Number) # *</p> <p><i>Sequence Block Enrollment (allows the Administrator to record a specific number of cards, up to a maximum of 988 cards, at once)</i> * (Master Code) # 1 (Amount of Cards to Write) # (Read Card) # *</p> <p>Visitors (temporary access and with limited uses) 0 - 9 = number of openings (0 = 10 times) * (Master Code) # 1 (User ID) # (0 - 9) # (Read Card) # * * (Master Code) # 1 (User ID) # (0 - 9) # (Card Number) # *</p>
<p>4. Add Code</p> <p><i>Common ID's: 0 - 989</i> <i>Visitor ID's: 990 ou 999</i> Code Length: 4 - 6 digits Except 8888</p>	<p>Common Users (regular access) <i>Automatic User ID (the system assigns the ID automatically and in sequence)</i> * (Master Code) # 1 (Code) # *</p> <p><i>Specific User ID (allows the Administrator to associate the card with a specific ID)</i> * (Master Code) # 1 (User ID) # (Code) # *</p> <p>Visitors (temporary access and with limited uses) 0 - 9 = number of openings (0 = 10 times) * (Master Code) # 1 (User ID) # (0 - 9) # (Code) # *</p>
<p>5. Change Code</p> <p><i>Outside of Programming Mode</i> <i>Common Users can do this without the need of administrator/master code</i> Code Length: 4 - 6 digits Except 8888</p>	<p><i>Change Code</i> * (User ID) # (Old Code) # (New Code) # (Repeat New Code) *</p> <p><i>Change PIN Card + Code combination (código pré-definido 8888)</i> * (Read Card) (Old Code) # (New Code) # (Repeat New Code) *</p>

- **RESET** (does not erase data, only resets to factory settings):

Disconnect the controller, press the "*" key, keep it pressed and reconnect the controller. After ~3s it will emit 3 beeps; reset is complete and factory settings have been reset;

- To enter user IDs, it is not necessary to put 0 before (if the ID only has 1 or 2 digits (0 ~99));

- **VALID ONLY FOR 6-DIGIT CODES**

For greater security, the control allows you to "camouflage" the correct code in the middle of a random sequence up to a maximum of 10 digits.

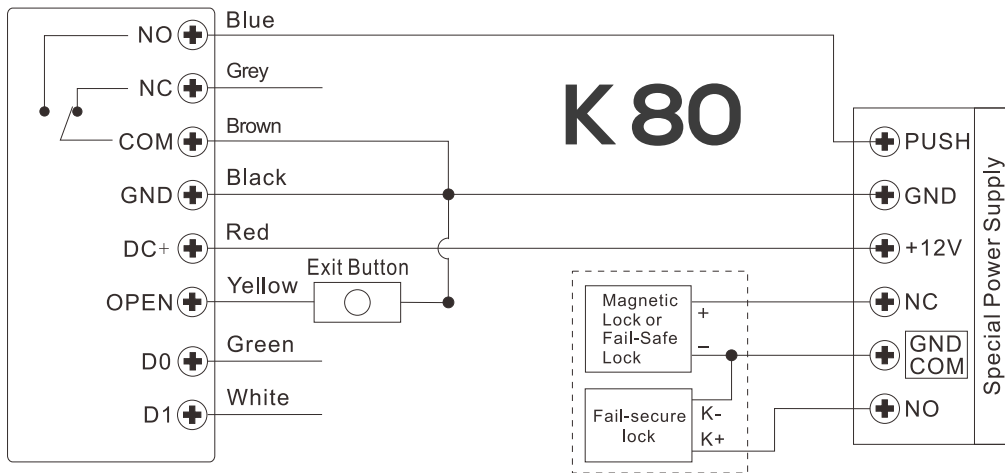
FUNCTION	KEYPAD OPERATION
<p>6. Delete Users</p>	<p><i>By User ID</i> * (Master Code) # 2 (User ID) # *</p> <p><i>By Code</i> * (Master Code) # 2 (Code) # *</p> <p><i>By Card</i> * (Master Code) # 2 (Read Card) # * * (Master Code) # 2 (Card Number) # *</p> <p><i>Deletes ALL Users, except Administrator</i> * (Master Code) # 2 (Master Code) # *</p>
<p>7. Set Access Mode</p>	<p><i>Code or Card - factory default</i> * (Master Code) # 4 3 # *</p> <p><i>Card Only</i> * (Master Code) # 4 0 # *</p> <p><i>Code Only</i> * (Master Code) # 4 1 # *</p> <p><i>Code + Card</i> * (Master Code) # 4 2 # *</p>
<p>8. Multi-User Access</p> <p><i>The door only opens after 2~9 valid accesses have been entered - insertion or reading time cannot exceed 5 seconds)</i></p>	<p><i>Enable Multi-User Access</i> * (Master Code) # 4 3 (2~9) # *</p> <p><i>Add User Card by ID</i> * (Master Code) # 1 (User ID) # (Read Card) *</p> <p><i>Add Pincode</i> Code Length: 4 to 6 digits * (Read Card) (1234) # (New Code) # (Repeat New Code) #</p>
<p>9. Timer / Toggle Mode <i>Enable / Disable</i></p>	<p><i>Auto Lock Timer - factory default is 5s, programmable from 1 ~ 99 seconds</i> * (Master Code) # 3 (1~99) # *</p> <p><i>Activate / Deactivate Toggle Mode</i> allows access indefinitely until a valid access is entered (eg read card: door opens and remains open until card is swiped again) * (Master Code) # 3 0 # *</p>
<p>10. Alarm e Strike-out <i>Enable / Disable</i></p> <p><i>The alarm will be activated after 10 failed attempts to enter access (code / card). This alarm can be activated in order to deny access for 10 minutes, blocking entrances but not exits, or it can only be deactivated when a valid user enters their access.</i></p>	<p><i>Alarm and Strike-out OFF - factory default</i> * (Master Code) # 6 0 # *</p> <p><i>Alarm Strike-out ON - access is denied for up to 3 minutes, exit button still works</i> * (Master Code) # 6 2 # *</p> <p><i>Security Lock, no Alarm - access is denied for 10 minutes, exit button still works</i> * (Master Code) # 6 1 # *</p> <p><i>Alarm Time - Factory default is 1 minute, programmable from 0 to 3 minutes</i> * (Master Code) # 5 (0~3) # *</p>
<p>10. Sound and LED <i>Enable / Disable</i></p>	<p><i>Sound OFF</i> * (Master Code) # 7 0 *</p> <p><i>Sound ON</i> * (Master Code) # 7 1 *</p> <p><i>LED OFF</i> * (Master Code) # 7 2 *</p> <p><i>LED ON - factory default</i> * (Master Code) # 7 3 *</p>

Function	LED Light Colour	Sound
Standby	Red	-
Enter Programming Mode	Red, blinking	1 beep
In Programming Mode	Orange	1 beep
Operation Error	-	3 beeps
Exit Programming Mode	Red	1 beep
Unlocked	Green	1 beep
Alarm	Red, fast flashing	Repeated beeps

Electric Scheme

Color	Operation	Function
Red	POWER +	Input Energy 12-18 V
Black	GND	Earth
Blue	NO	Output NO - Normally Open
Brown	COM	Common relay output
Gray	NC	NC Output - Normally Closed
Yellow	OPEN	Exit button (REX)
Green	D0	Input/Output Wiegand Data 0
White	D1	Wiegand Data Input/Output 1

ACCESS CONTROL POWER SUPPLY



COMMON POWER SUPPLY

