



TRIPLO W
Criamos Segurança!

TW – N80

Data Sheet

Installation Guide

12V AC Electric Device for
Door Opening (Chain)



Technical Specifications

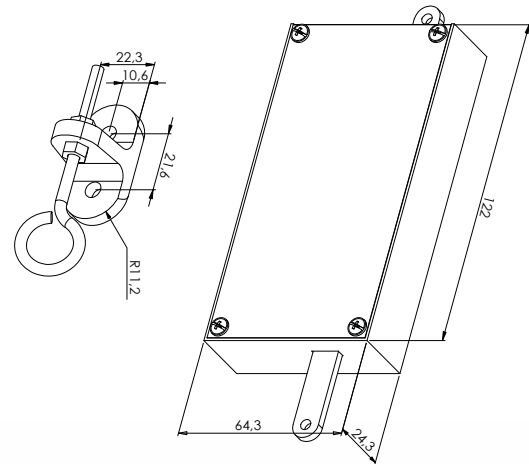
MODEL	TW-N80
MATERIAL	Metal
MEASUREMENTS (mm)	64,3 x 122 x 24,3 mm
ALTERNATOR RESISTANTE (Ω)	8
AC CURRENT CONSUMPTION (mA)	800 (8V) / 1200 (12V)
WORK TEMPERATURE (C°)	-15 °C ~ +40 °C
CYCLE TESTS	250.000
COMPONENTS	Dispositivo, Corrente, Ganchos

Thank you for purchasing our product!

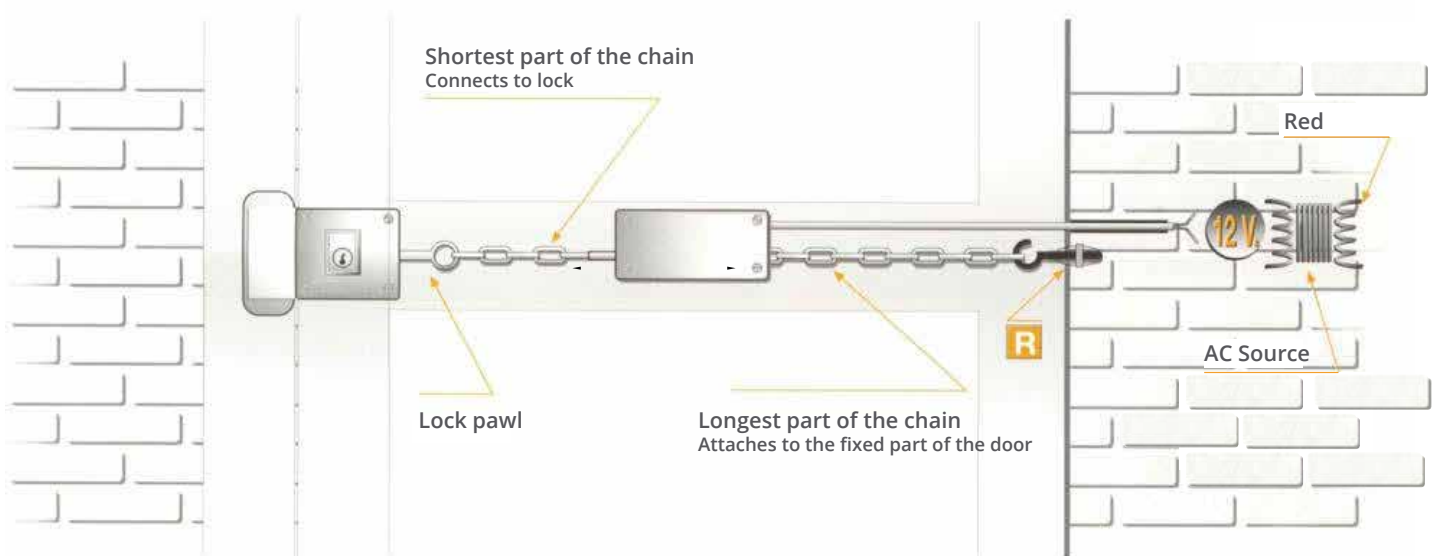
www.triplow.pt

Installation

- Remove the device housing cover and connect the shorter part of the chain to the trigger of the existing mechanical lock;
- Stretch the chain as much as possible, making sure that the pawl of the mechanical lock is on the normal/closed position. Secure the electronic box on the door through the three fixing points inside the box;
- Screw the piece "R" (device force adjuster), located at the end of the longer part of the chain, to the fixed part of the door. The chain must be well tensioned - if necessary, it is possible to remove any link from the chain;
- Once applied, tighten the threaded rod using the two nuts provided so that the device's trigger is in tension and can regulate the opening force - the more stretched, more force will be applied to the opening (attention: pulling the trigger on the device will exert a lot of force);
- After installing, carry out the electrical connection and check for correct operation;
- Put the lid back in place.



Installation Diagram



For left or right opening doors.



Color: light gray