

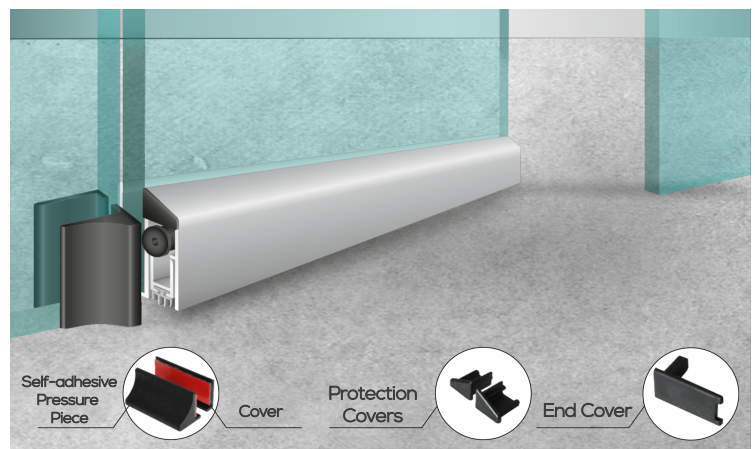
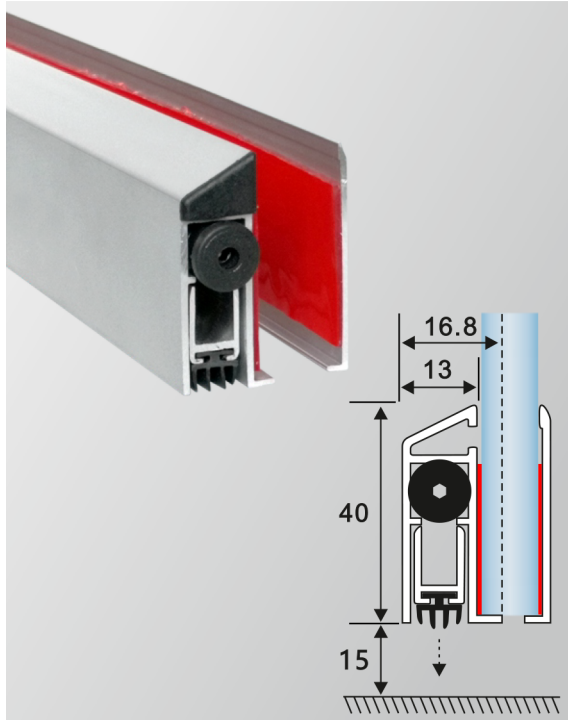


TW B 15

Automatic Draught Excluders

Data Sheet
Installation Guide

Drop Seals are suitable for restoration projects such as installed doors that need to increase acoustic, thermal insulation and dust protection.



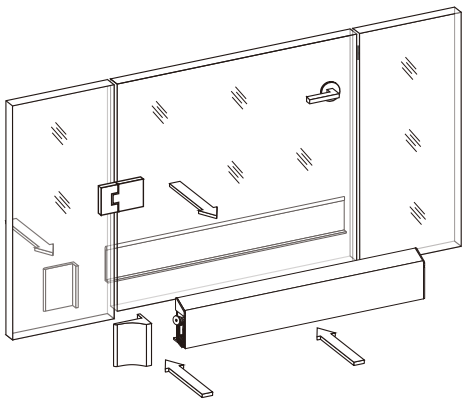
Technical Specifications

APPLICATION	Glass Hinged doors
LENGTH	from 900 to 1000 mm
GAP HEIGHT (max)	15 mm
FINISH	Anodized aluminum with brushes
FIXING	Fixing to the surface with self-adhesive tape
SEAL	PVC, extrusion
ACCESSORIES	Self-adhesive tape and protective covers
ADJUSTABLE LENGTH	Cut - up to 15 cm
AVAILABLE MODELS	TWB15-900 ; TWB15-1000

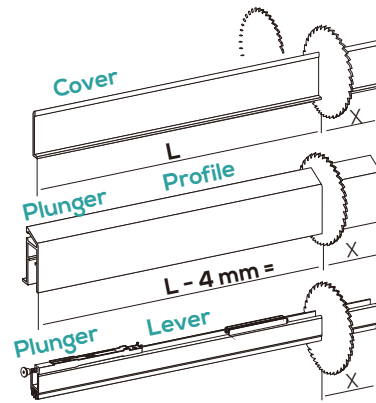
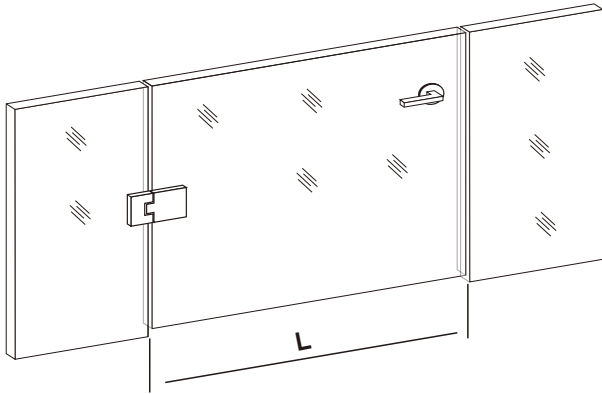
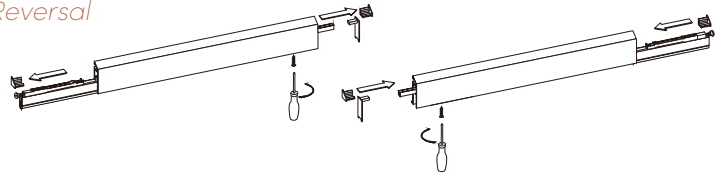
Thank you for buying our product!

Step 1:

Profile for direct application on the door surface
- Before installing, clean the glass with a dry cloth and alcohol or detergent, leaving it to dry in the open air;



Pivot Side Reversal

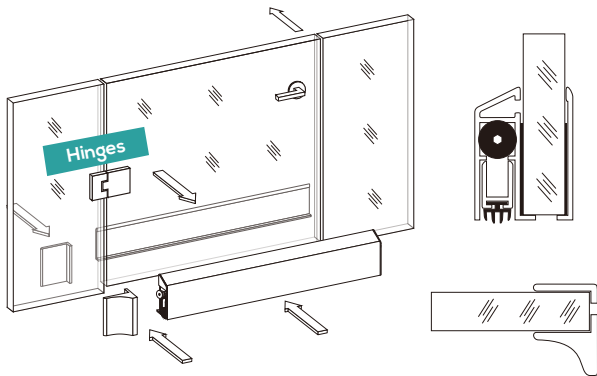


Step 2:

- Measure door length and subtract 4 mm ($L - 4 \text{ mm} = X$);
- Cut the profile to size, ensuring that the cut is made on the side of the lock and not on the side of the hinges. Check that the length of the lever is less than 4 - 6 mm;
- Cut the cover piece to measure the total length of the door;

Step 3:

- Measure the distance between the positioning screw and the end of the outer slot, ensuring they are in the same direction;
- Place the protective covers, checking that the pivot is on the hinge side;



Step 4:

- Close the door carefully, observing the movement of the sealant - it must adjust to the height of the gap without putting too much force against the floor - too much pressure can damage the part (if the sealant does not fill the gap, adjust by turning the pivot clockwise; if sealant presses too hard against floor, adjust by rotating pivot counterclockwise).

