



DATA SHEET

Steel Electronic Lock for Sliding Doors



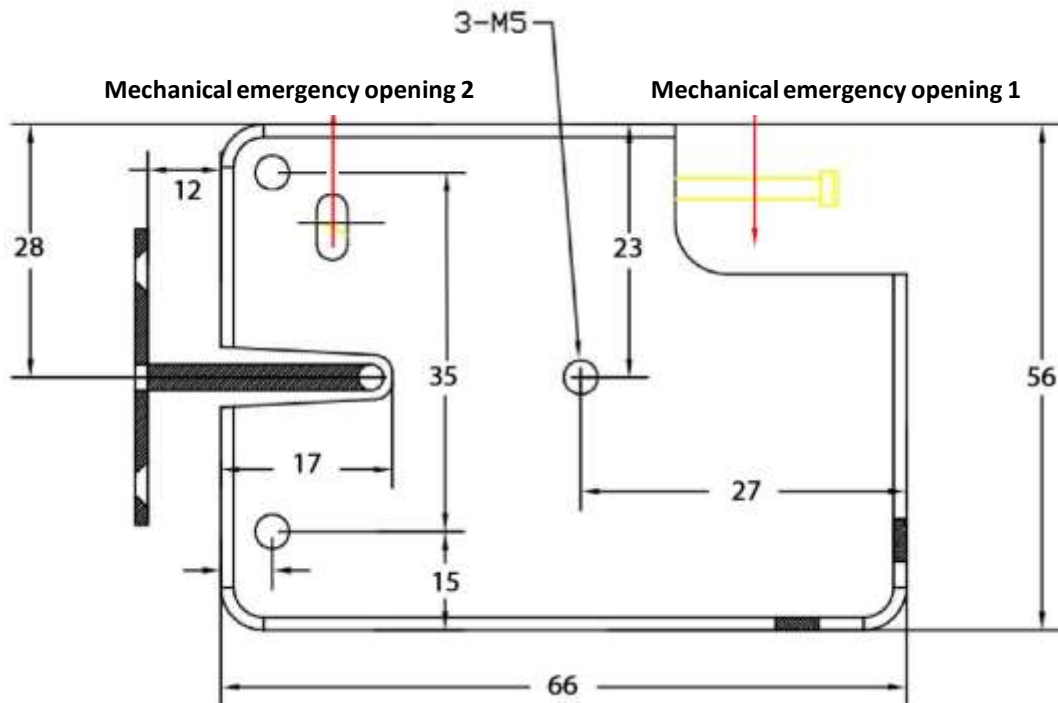
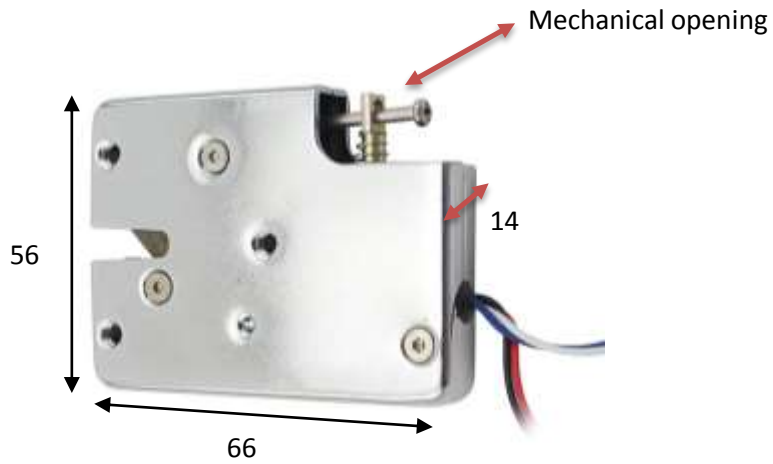
- Model: TW-21S
- Power supply: 12 VDC
- Force: Approximately 200Kg
- NC lock (it opens by using current)
- Opening:
 - Compatible with any access control
 - Mechanical emergency opening
- Size: 66 x 56 x 21 mm
- Suitable for all types of doors: Sliding or swing doors, wooden and metallic ones
- Ideal for locker or drawer doors, mailboxes
- Open/close door signal: NC/COM
- Operating temperature: -20°C ~ +60°C





TW-21S

Dimension





Warranty

Every product marketed by Triplo W Lda., have a two-year warranty for manufacturing defects. Every equipment sold is checked at our facilities for defects; and if it is unrepairable, it shall be replaced with a new product, according to the corresponding warranty.

For additional information check our conditions of sale at:
<http://www.triplow.pt/loja/termos-e-condicoes>

