



# Triplow W



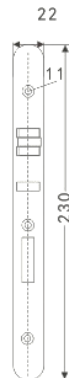
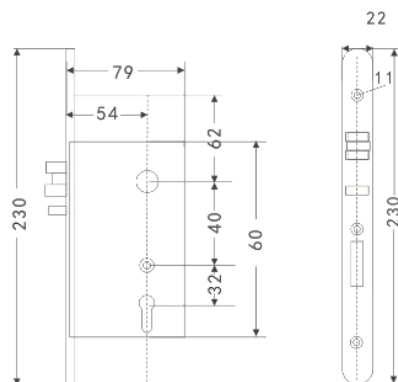
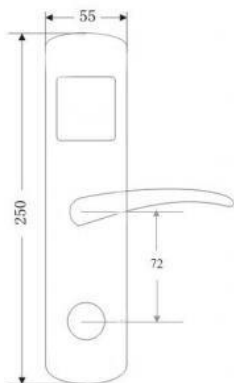
## DATA SHEET V600-DIY



### Specifications

<b>Model</b>	V 600-DIY
<b>Material</b>	Metal
<b>Type of card</b>	125 KHz (RFID)
<b>LED light</b>	Blue and red
<b>Beep sound</b>	Yes
<b>Temperature</b>	20° ~ 60°
<b>Humidity</b>	20% to 90%
<b>Power supply</b>	4x1.5V AAA batteries
<b>Low voltage alarm</b>	<4.5 V
<b>Alternative opening</b>	Mechanical key
<b>Dimension (A x L)</b>	250 x 55 x 15 mm

### Dimension



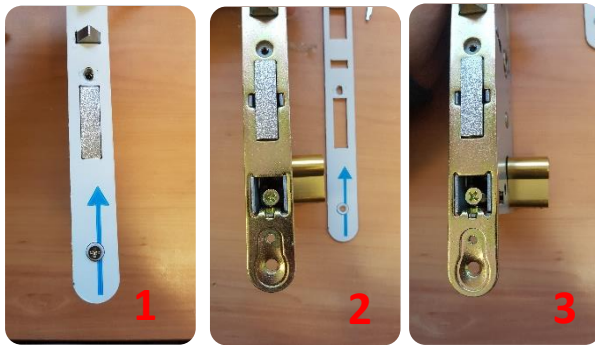
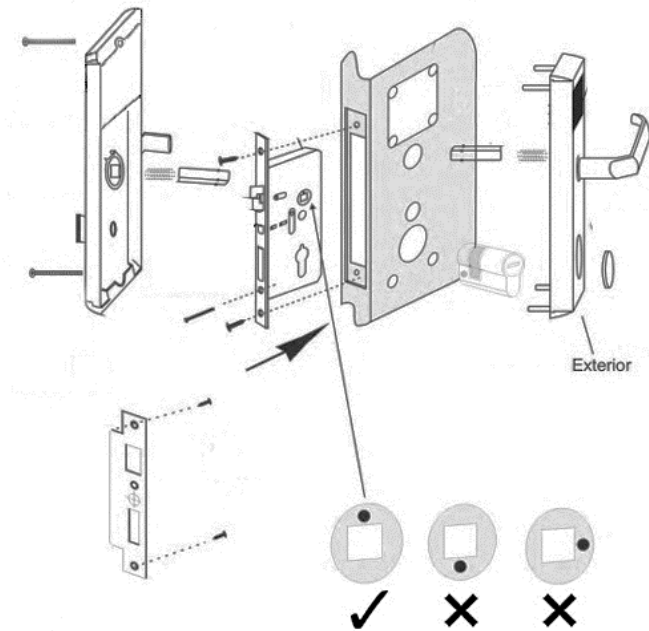


# Triplo W

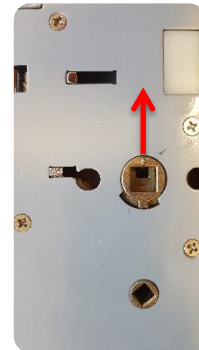
V600-DIY



## Mounting



**A** After fitting the lock body in the door thickness, remove the frontal plate and screw the cylinder using the screw supplied.



**B** The hole for the spindle bar needs to be aligned as it is shown in the picture (arrow upwards).



**C** Insert springs inside each handle in order to fix the lever in the right position.



## Setting

### Reset Factory settings

Open the door 5 times in a row using the mechanical key. There is a beep with each opening. By the end of the 5 openings there is a longer beep sound, which signals that the lock is now with factory settings.

- **Set the Administrator Card**

After resetting factory settings (indicated above), the first card to be used on the lock reader will be defined as the Administrator Card. This card is used to set User Cards, besides opening the door directly.

- **Set User Cards**

Use the Administrator Card on the reader and within 5 seconds, use the User Card on the reader. There can be set up to 200 cards in a row, as long as they are set within 5 seconds from the last setting. To finish and exit, use the Administrator Card. When an already set Card is passed through the reader, the lock emits 2 short beeps.

- **Open the door**

Place the Administrator Card or User Card on the lock's reader to open the door.

- **Delete a User Card**

To delete a Card N, use the Administrator Card on the lock **4 times** in a row (the first pass is for entering the setting, the other 3 emit 1 beep). Pass immediately after the Card N-1. If the operation is successful, there will be 2 beeps.

Example: You wish to delete user card nº8. Use the administrator card 4 times in a row on the reader, the lock's LED starts to blink, pass the user card nº8. If the operation is successful, there will be 2 beeps.

- **Delete all User Cards**

Use the Administrator Card on the reader 5 times in a row.



# Triplow



## Warranty

Every product marketed by Triplow Lda., have a two-year warranty for manufacturing defects. Every equipment sold is checked at our facilities for defects; and if it is unrepairable, it shall be replaced with a new product, according to the corresponding warranty.

For additional information check our conditions of sale at:  
<http://www.triplow.pt/loja/termos-e-condicoes>