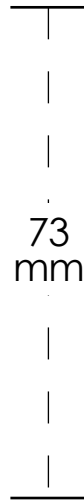


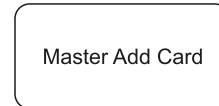


TW-S7 MF

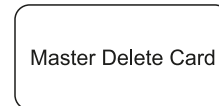
Standalone Access Control Mifare Card



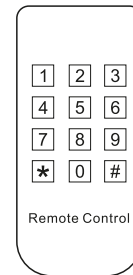
Components



Master Card
(add)

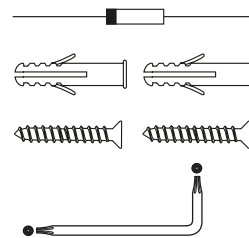
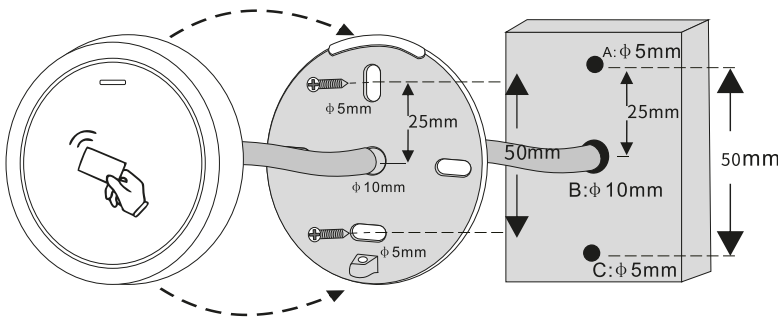


Master Card
(delete)



Infrared
Remote
Control

Installation



IN4004 Díode

Wall Anchors
and Fixing Screws

Screw Driver

Data Sheet

DIMENSIONS (mm)	73 x 73 x 20 mm
IP PROTECTION	IP66
TYPES OF OPENING	Mifare Card 13.56 MHz / EM 125KHz
OPENING TIME	0~99s - 5s factory (undefined with Toggle Mode)
DATA CAPACITY	2000 Users
WORKING TEMPERATURE (°C)	-40°C ~ +60°C
WORK HUMIDITY (%)	0% RH ~ 98% RH
VOLTAGE	9 ~ 24V DC
IDLE CURRENT	< 40mA
WORKING CURRENT	< 150mA
READ RANGE	3 ~ 6 cm

FUNCTION	KEYPAD OPERATION
<p>1. Enter and Exit Programming Mode</p>	<p>Enter Programming Mode: * (Master Code) # Factory Default Master Code: 123456</p> <p>Exit Programming Mode: *</p>
<p>2. Change Master Code</p>	<p>Enter Programming Mode: * (master Code) # 0 (New Master Code) # (Repeat New Master Code) # Code Length: 6 digits</p> <p>Exit Programming Mode: *</p>
<p>3. Add Card</p> <p><i>With IR remote</i></p> <p><i>With Master Add Card</i></p>	<p>IR Remote Control <i>Automatic User ID (the system assigns the ID automatically and in sequence)</i> * (Master Code) # 1 (Read User Card) # * * (Master Code) # 1 (User Card Number) # *</p> <p><i>Specific User ID (allows the Administrator to associate the card with a specific ID)</i> Available ID's: 1 ~ 2000 * (Master Code # 1 (User ID) # (Read User Card) # * * (Código Mestre) # 1 (User ID) (Card Number) # *</p> <p><i>Sequence Block Enrollment (allows the Administrator to record a specific number of cards, up to a maximum of 1999 cards, at once)</i> * (Master Code) # 1 (Amount of Cards to add) # (Read User Cards) # *</p> <p>Master Add Card <i>Automatic User ID (the system assigns the ID automatically and in sequence)</i> (Read Master Add Card) (Read User Card) (Read Master Add Card)</p> <p><i>Sequence Block Enrollment (allows the Administrator to record cards, up to a maximum of 1999 cards, at once)</i> (Read Master Add Card) (Read User Cards in a row) (Read Master Add Card)</p>
<p>4. Delete Card</p> <p><i>With IR remote</i></p> <p><i>With Master Delete Card</i></p>	<p>IR Remote <i>By User ID</i> * (Master Code) # 2 (User ID) # *</p> <p><i>By User Card</i> * (Master Code) # 2 (Read User Card) # * * (Master Code) # 2 (User Card Number) # *</p> <p><i>Cards can be deleted continuously without the need to enter the master code again, just read the cards in sequence.</i></p> <p><i>All users' data, except Administrator</i> * (Master Code) # 2 (Master Code) # *</p> <p>Master Delete Card <i>Sequence Block Delete (allows the Administrator to delete cards, up to a maximum of 1999 cards, at once)</i> (Read Master Delete Card) (Read User Cards in a row) (Read Master Delete Card)</p>

FACTORY RESET - deletes the Master Cards (restores factory settings - users' data is kept):

- Disconnect the control and press the output button;
- Reconnect - the control will emit 2 beeps and the red light will be on;
- Keep the exit button pressed for ~ 7 seconds;
- After 7 seconds the control will emit a long beep - reset is complete and factory settings have been restored.

ADD MASTER CARDS (Master Add Card / Master Delete Card)

- Disconnect the control, press the exit button, keep it pressed and reconnect;
- After the 2 beeps, release the exit button immediately - the light will turn orange;
- First read the Master Add Card and then the Master Delete Card (master card to delete). The adding must be done in this order.
- After adding, the control beeps and the light turns red, indicating that the cards are recorded successfully.

- To enter user IDs, it is not necessary to put 0 before (if the ID only has 1 or 2 digits (0 ~ 99)).

FUNCTION	KEYPAD OPERATION
5. Timer / Toggle Mode <i>Enable / Disable</i>	<i>Auto Lock Timer</i> - factory default is 5s, programmable from 1 ~ 99 seconds * (Master Code) # 3 (1~99) # * <i>Enable Toggle Mode</i> Allows access indefinitely until a valid access is entered (eg read card: door opens and remains open until card is swiped again) * (Master Code) # 3 0 # * <i>To Disable: enable in auto-lock mode by setting lock timer)</i>
6. Alarm e Strike-out <i>Enable / Disable</i> <i>The alarm will be activated after 10 failed attempts to enter access (code / card). This alarm can be set:</i> - to deny access for 10 minutes, blocking entrances but not exits; - to be deactivated only when a valid user reads their card.	<i>Alarm and Strike-out OFF</i> - factory default * (Master Code) # 4 0 # * <i>Alarm and Strike-out ON</i> - access is denied for up to 3 minutes, exit button still works. Can be deactivated by a valid card. * (Master Code) # 4 2 # * <i>Security Lock, with Alarm</i> - access is denied for 10 minutes with alarm sound, exit button still works. Alarm only shuts down after 10 minutes, even with a valid user card reading. * (Master Code) # 4 1 # * <i>Alarm Time</i> - Factory default is 1 minute, programmable from 0 to 3 minutes. Can be shut down by a valid user card. * (Master Code) # 5 (0~3) # *
7. Sound and LED <i>Enable / Disable</i>	<i>Sound OFF</i> * (Master Code) # 6 3 * <i>Sound ON</i> * (Master Code) # 6 4 * <i>LED OFF</i> * (Master Code) # 6 1 * <i>LED ON</i> - factory default * (Master Code) # 6 2 *

Indicators - Light and Sound

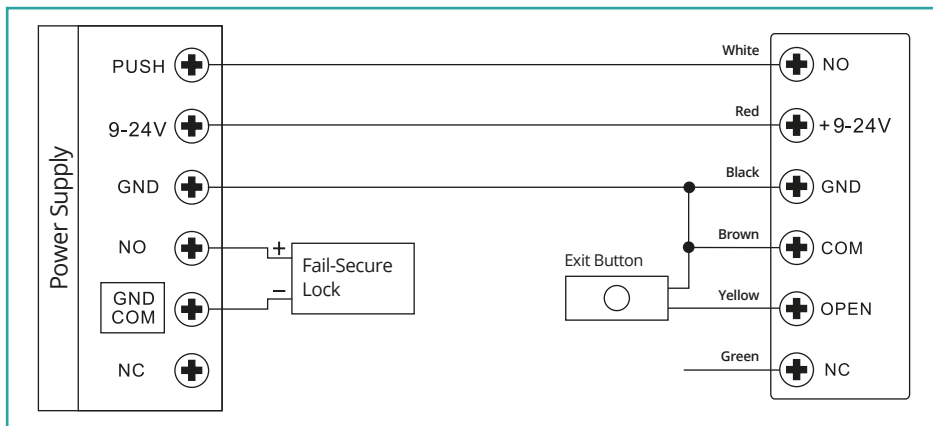
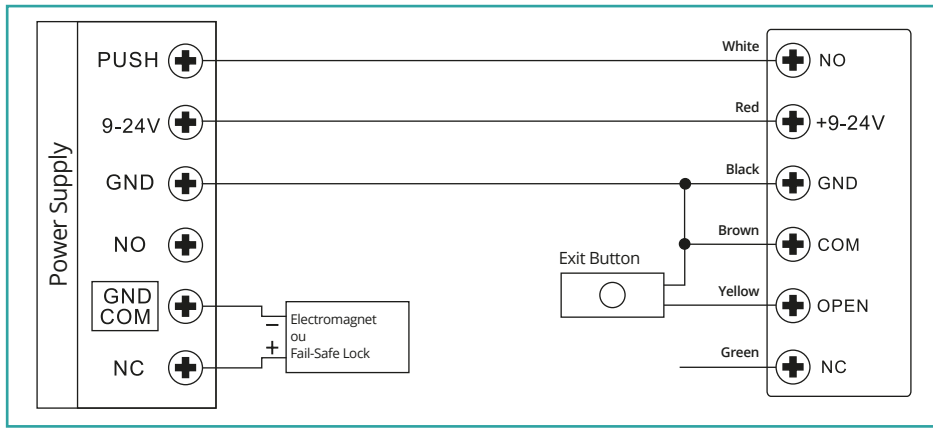
Function	LED Light Colour	Sound
Standby	Red	-
Enter Programming Mode	Red, blinking	1 beep
In Programming Mode	Orange	1 beep
Operation Error	-	3 beeps
Exit Programming Mode	Red	1 beep
Unlocked	Green	1 beep
Alarm	Red, flashing fast	Repeated beeps

Electrical Wiring

Cor	Função	Funcionamento
Red	POWER +	Input Energy 9 - 24V
Black	GND	Ground
White	NO	Output NO - Normally Open
Brown	COM	Common relay output
Green	NC	NC Output - Normally Closed
Yellow	OPEN	Exit button (REX)

ACCESS CONTROL POWER SUPPLY

K 80



COMMON POWER SUPPLY

