

DATA SHEET

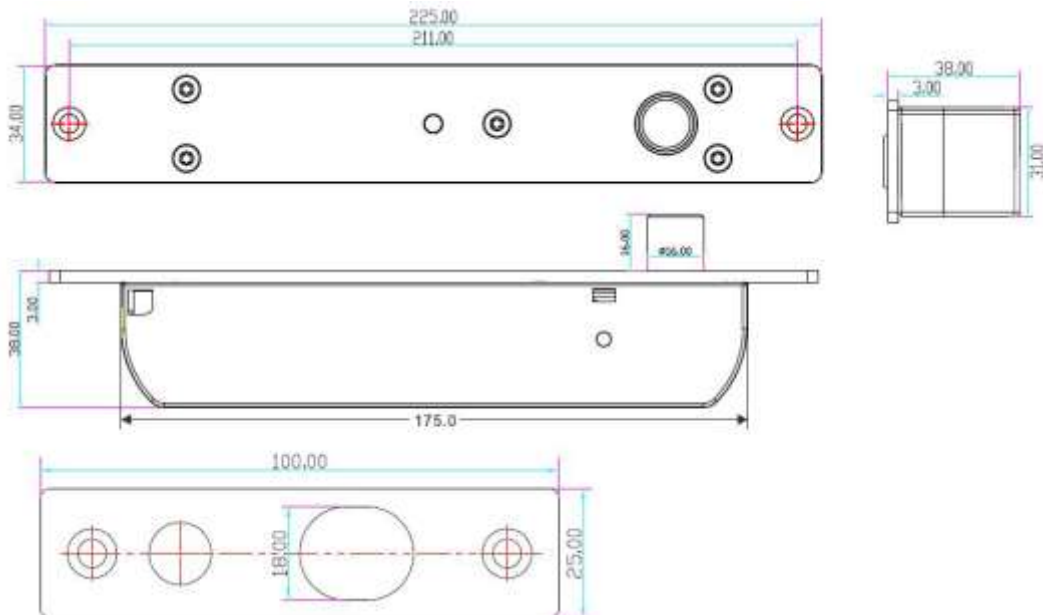
Electric Bolt Lock YB-700A



YB-700A

- Model: YB-700A.
- Magnetic plate: 100 x 25 x 3 mm.
- Lock body: 225 x 34 x 38 mm.
- Bolt: 16 mm (projection) x 16 mm (diameter).
- Voltage: 12V DC.
- Current:
 - Throw: 1200mA
 - Standby: 200mA
- Output signal: NO/NC/COM.
- Led:
 - Turned off: door open
 - Turned on: door closed
- Material: Stainless Steel, dull polished (304).
- Induction distance: 8 mm.
- Operation mode: Fail Safe (door opens in case of power failure).

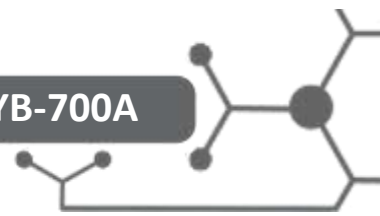
Dimension



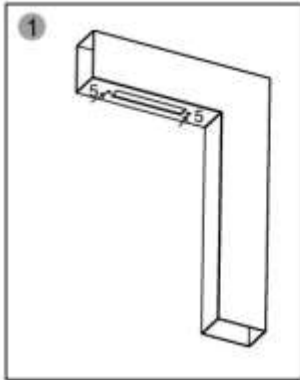


Triplow W

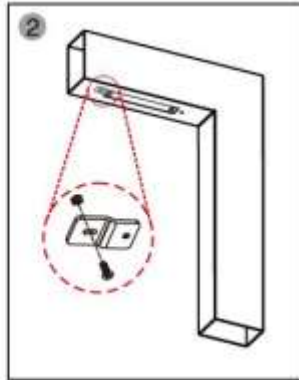
YB-700A



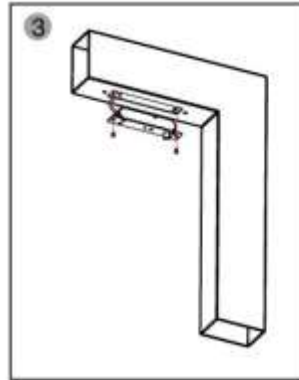
Installation Steps



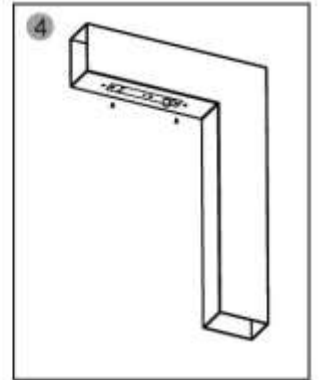
1 Drill and cut the door according to the latch size.



2 Install fixing plates.

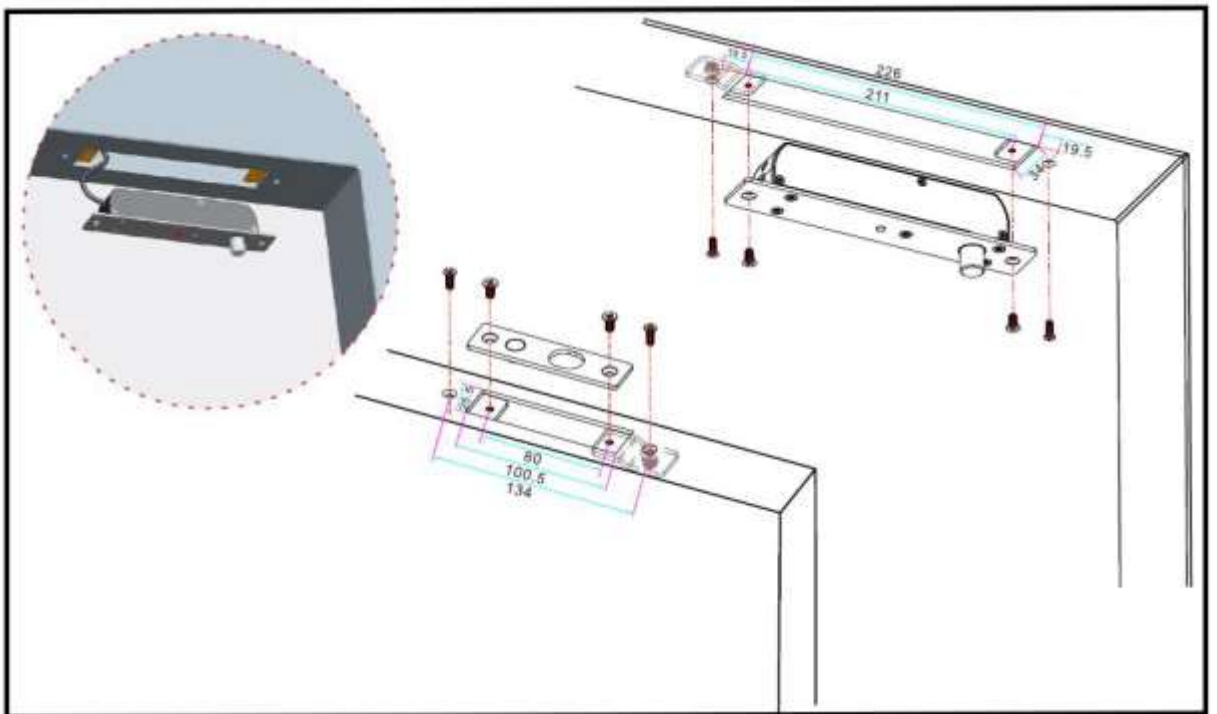


3 Connect the bolt latch to the power supply (12VDC) and perform a test.



4 Tighten fixing screws.

Installation Diagram





Triplow W



YB-700A

Timer Setting



0.0 Seconds



6.0 Seconds



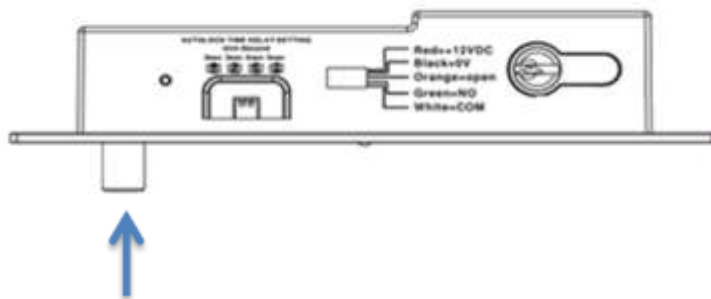
3.0 Seconds



9.0 Seconds

Installation and Maintenance Care

1. The maximum force the solenoid exerts on the bolt is not greater than 50 grams. The cleaning and lubrication of the bolt and the rest of components must be ensured so its proper operation is guaranteed without making an effort greater than the solenoid force.



Bolt retracting force up to 50g



2. Make sure the hole for installing the lock has the correct measurements in order to guarantee the perfect mounting of the lock.
3. After installing the lock, the cleaning must be carried out by using compressed air inside the lock to guarantee that there is no wood, aluminium, sand or concrete residue that might block the perfect sliding of every mobile part.
4. After cleaning, the mechanical elements must be lubricated with spray.
5. When the lock is installed in hostile environments such as sea surroundings or chemical pollution sources, among others, the following additional tips should be carried out:
 - a) Periodically clean and lubricate mobile elements, as previously stated.
 - b) Fill up the connecting cable hole and every other fixing hole with a good quality filler.
 - c) Clean contact-exposed surfaces with a fine oil moistened cloth. This operation needs to be carried out once a month.
6. Make sure the lock is perfectly aligned.



Incorrect alignment

Correct alignment





Warranty

Every product marketed by Triplow Lda., have a two-year warranty for manufacturing defects. Every equipment sold is checked at our facilities for defects; and if it is unrepairable, it shall be replaced with a new product, according to the corresponding warranty.

For additional information check our conditions of sale at:
<https://www.triplow.pt/loja/termos-e-condicoes>

