

TECHNICAL SHEET

Electromechanical lock with cylinder for doors Running

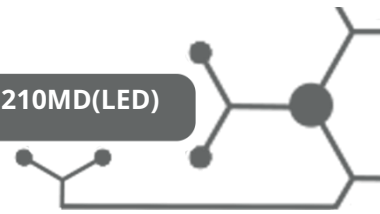


- Model: YB-1210MD(LED)
- Dimensions: 450 X 30 X 41.5 (mm)
- Voltage: 12-24VDC
- Current: 800mA
- Output signal: door sensor NO/COM, closing sensor NC/NO/COM
- Led: red signal closed, green signal open
- Traction force: 2000kg
- Operating temperature: -20°C~+60°C
- Operating humidity: 0~95%
- IP: 65
- Suitable for: wooden doors, metal doors, fire doors
- Auto close time preset: 0, 3, 6, 9 seconds
- Maximum distance: 8mm



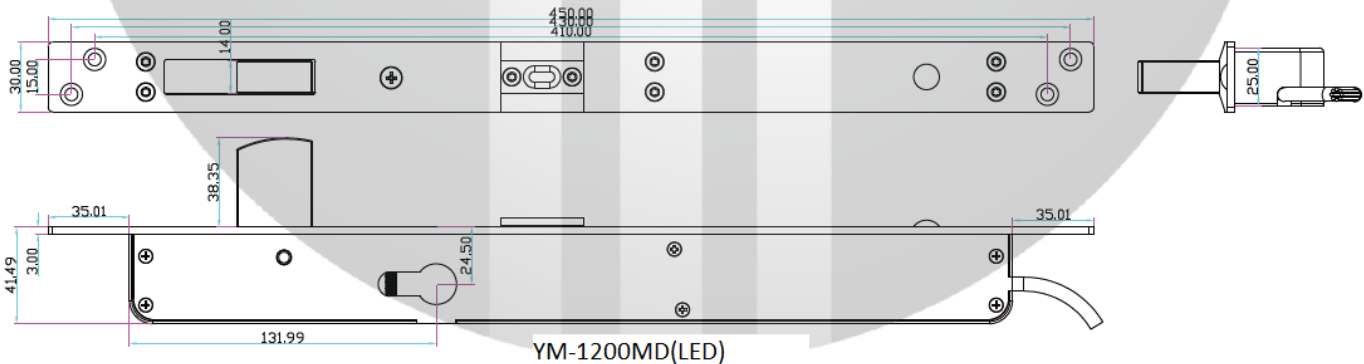
Triplo W

YB-1210MD(LED)

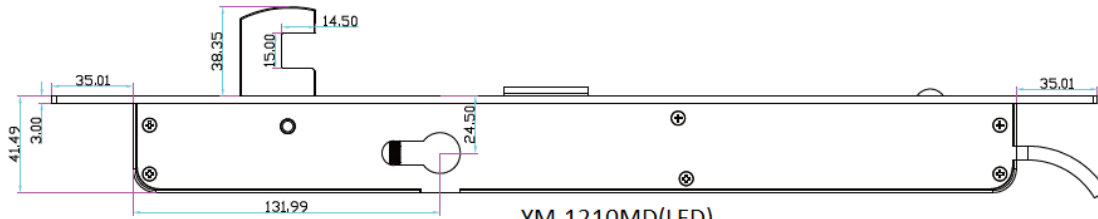


Dimensions

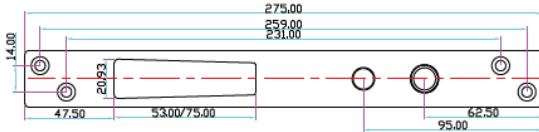
1



YM-1200MD(LED)



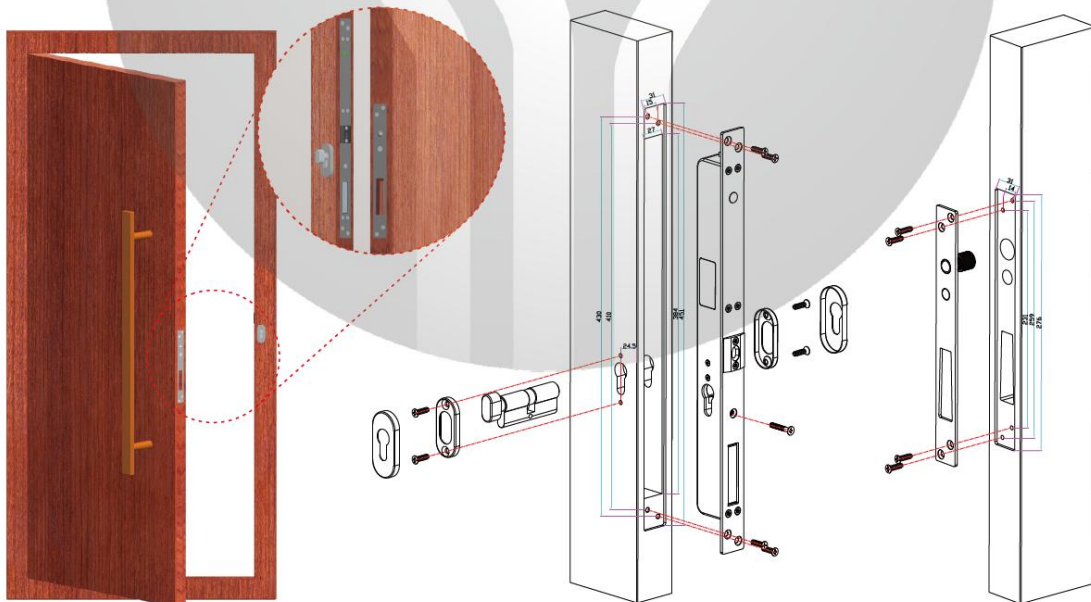
YM-1210MD(LED)



75mm na YM-1200MD(LED) e 53mm na YM-1210MD(LED), as restantes medidas são iguais nos dois modelos

Installation

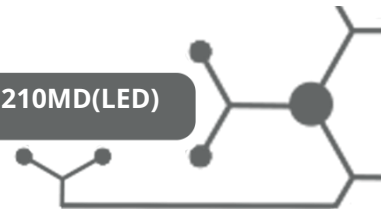
1





Triplo W

YB-1210MD(LED)



Automatic closing timer



Wiring Diagram

	Vermelho		+	
	Preto		-	} Botão de saída (NO)
	Laranja		OPEN	
	Azul		NO	} Sinal de fecho
	Castanho		NC	
	Amarelo		COM	
	Verde		NO	} Sinal da porta
	Branco		COM	