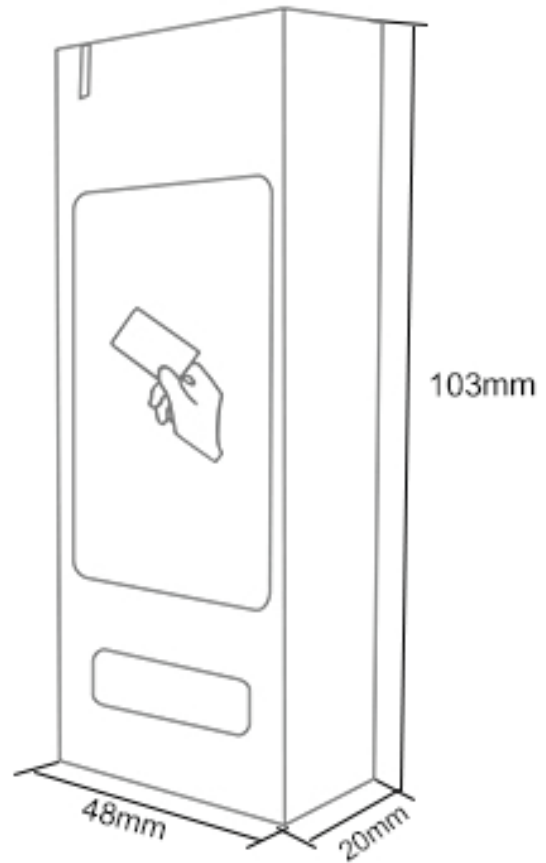




TW-6RX

Wiegand Metal Reader RF EM, Mifare and HID, 12/24V DC

User Manual
Data Sheet

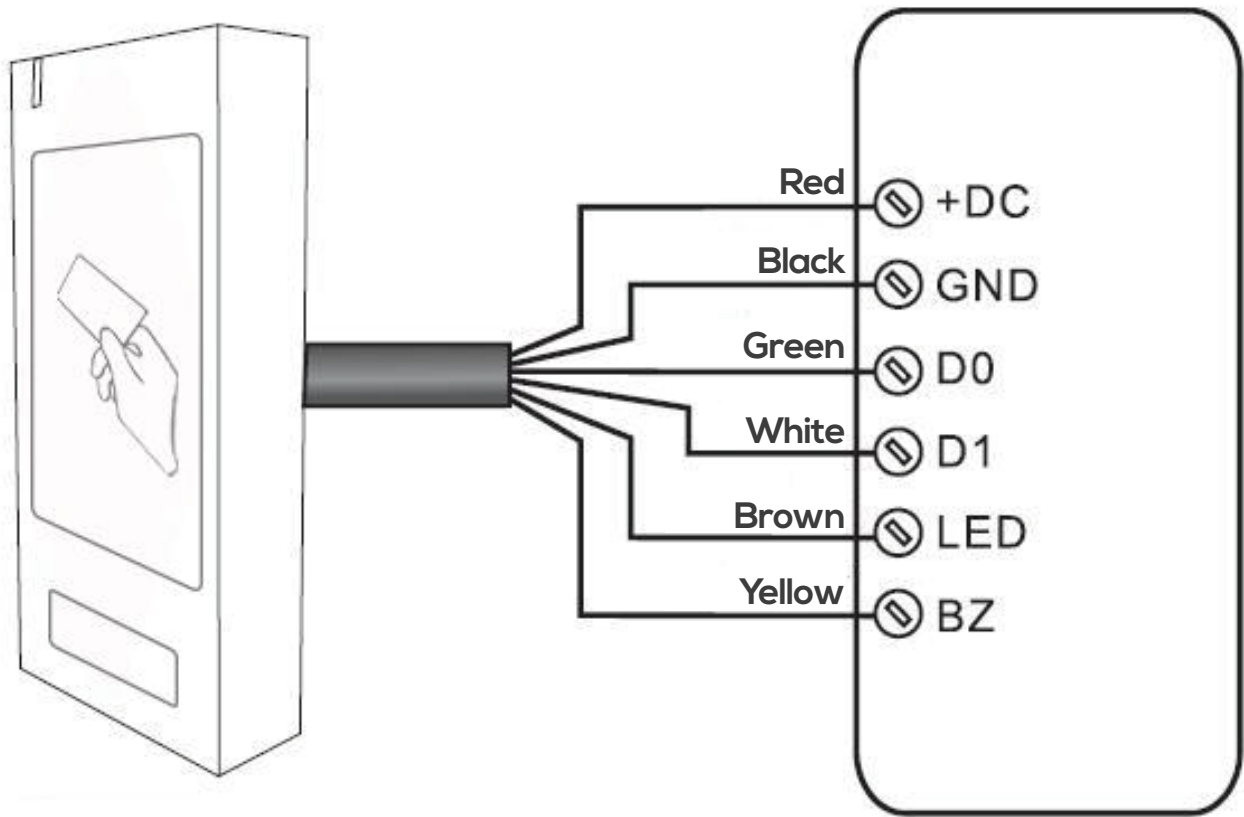


To program the reader it is necessary to purchase the TW-Board

Data Sheet

DIMENSIONS (mm)	103 x 48 x 20 mm
WEIGHT (KG)	0,260 Kg
IP PROTECTION	IP66
TYPES OF OPENING	Card
CONNECTIVITY	Mifare IC, RF ID EM, HID
VOLTAGE	12 ~ 24V DC
WORKING TEMPERATURE (°C)	-40° ~ +60°
WORK HUMIDITY (%)	10% ~ 95%
WIEGAND PROTOCOL	Wiegand 26

Electric Scheme



Wiring

COLOR	FUNCTION	DESCRIPTION
Red	POWER+	+DC (9-24V DC)
Black	GND	Ground
Green	D0	Data 0
White	D1	Data 1
Brown	LED	Green LED Light Control
Yellow	BZ	Buzzer Control

Functions Sheet

Read Card	The LED light will turn Green and the buzzer will sound - the control outputs the Wiegand signal
External LED Control	If the input voltage for LED is low, the LED will turn Green
External Buzzer Control	If the input voltage is low, the buzzer will sound
Wiegand Data Output	The reader operates with Wiegand range from 26~37 bits - factory default is Wiegand 26 bits. HID card outputs the data automatically from 26~37 bits, but EM and Mifare cards have to be programmed to output based on the reader settings'