



# Triplow

## TECHNICAL SHEET ATEX Power Converter

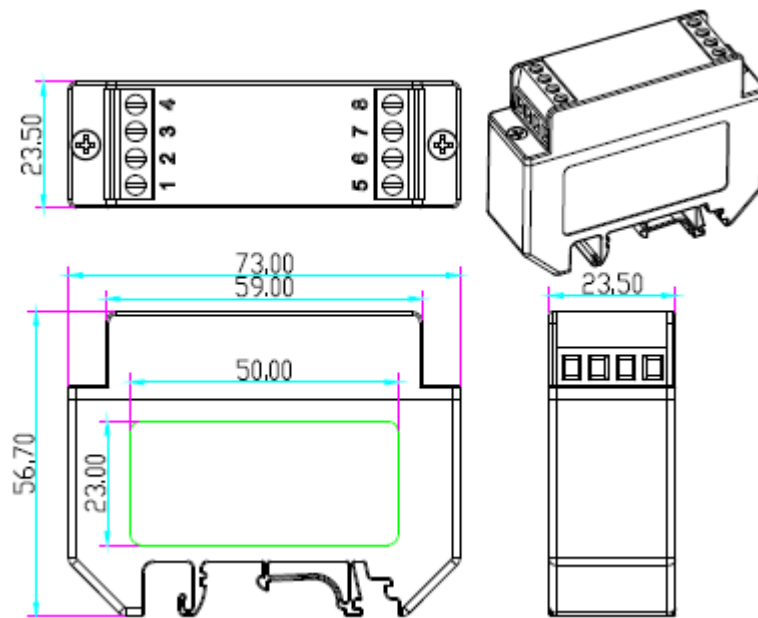
PCB-504-EX



### Technical Characteristics

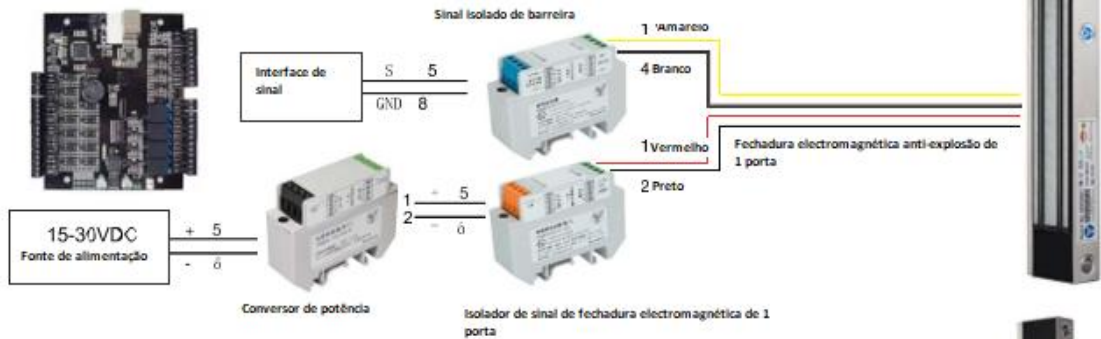
- Model: PCB-504-EX
- Dimension: 73 x 56 x 23.5 (mm)
- Input voltage: 15-30VDC
- Output voltage: 12VDC 600mA
- Working temperature: -20°C ~+55°C
- Certificate No.: ECM 23 ATEX-B Dn89
- ATEX: II 1G Ex ib IIC T6 Gb  
II 2D Ex ib IIIC T85°C/T100°C Db

### Dimensions



# Wiring diagram

## Controlo de acessos



## Controlo de acessos

