



Triplow

TECHNICAL SHEET

Access Control Signal Isolator

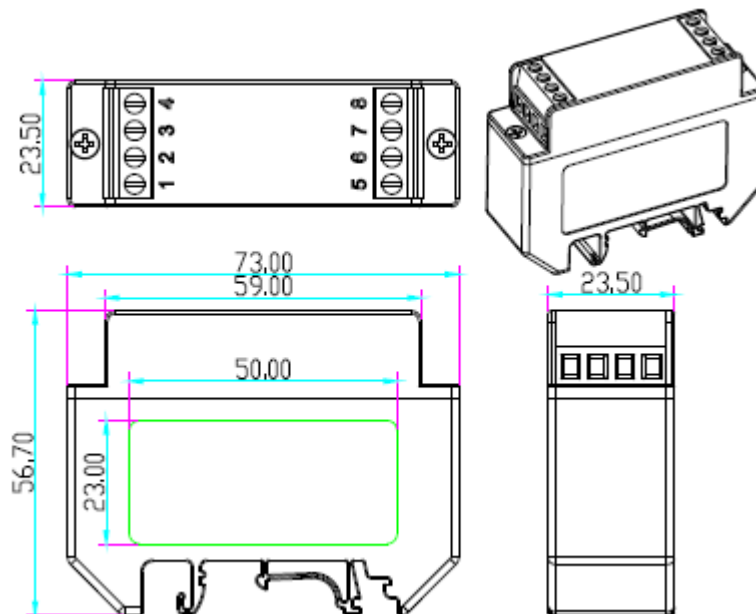
SEP-514-EX



Technical Characteristics

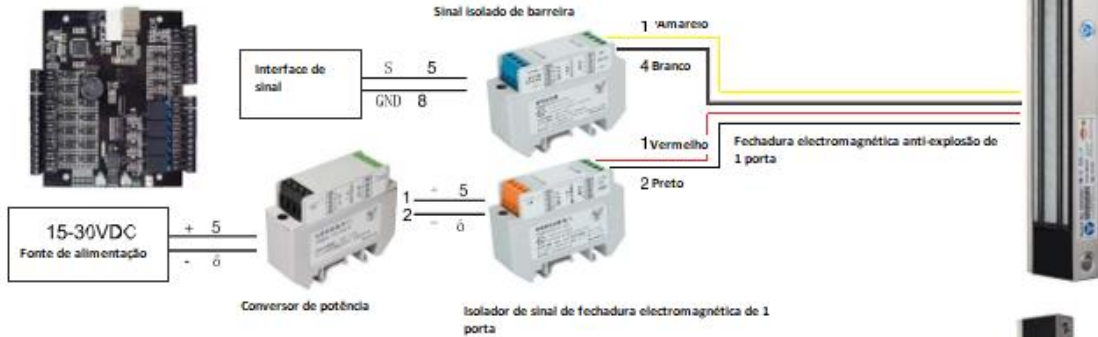
- Model: SEP-514-EX
- Dimension: 73 x 56 x 23.5 (mm)
- Voltage: 10.8 VDC/ 182 mA
- Working temperature: -20°C ~+55°C
- Installed between the access control and the electromagnet

Dimensions



Wiring diagram

Controlo de acessos



Controlo de acessos

