



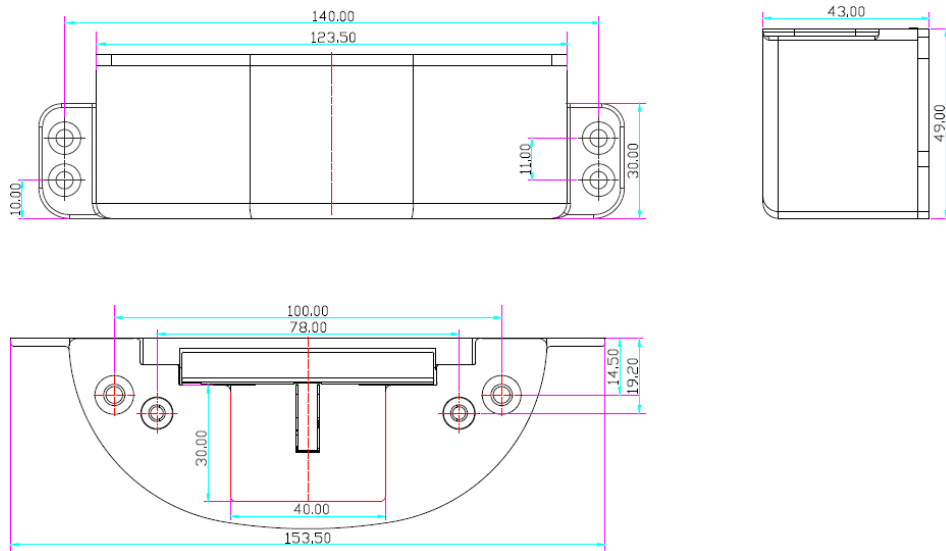
## DATA SHEET AND CONNECTING INSTRUCTIONS FOR ELECTRIC LATCH YS-622 S

### Technical Specifications



Hardware material	Stainless steel 304
Operation	NO or NC (adjustable)
Voltage	12V 220mA
Output signal	Door sensor (NO/NC/COM)
Operating temperature	-10~+55°C
Holding force	1000 Kg
Weight	0,52 Kg

### Dimension





# Triplow W

YS-622 S



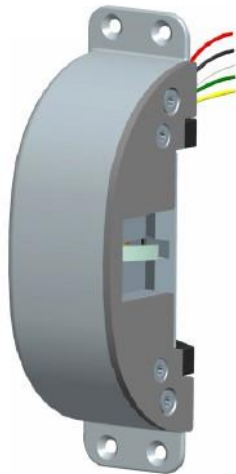
## Installation

### Lock Status Signal

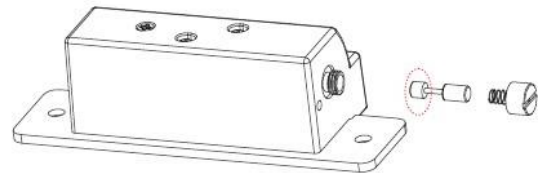
Green: NC } NC - Door open signal  
 White: COM } NO - Door closed signal  
 Yellow: NO }

### Power Supply

Red: + } 12VDC  
 Black: - }

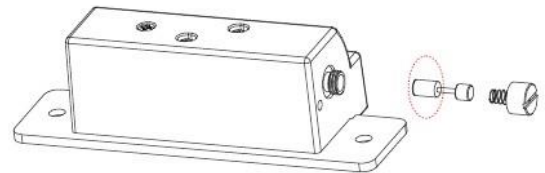


### Operating Mode



### NO Mode (Normally Open):

- 1- Remove the external cover
- 2- Loosen the side screw
- 3- Along with screw you will find a small cylinder, where the shortest part is for the NO mode (image above)
- 4- Screw back on and place back the cover.



### NC Mode (Normally Closed):

- 1- Remove the external cover
- 2- Loosen the side screw
- 3- Along with screw you will find a small cylinder, where the longest part is for the NC mode (image above)
- 4- Screw back on and place back the cover.

