



# Triplow W



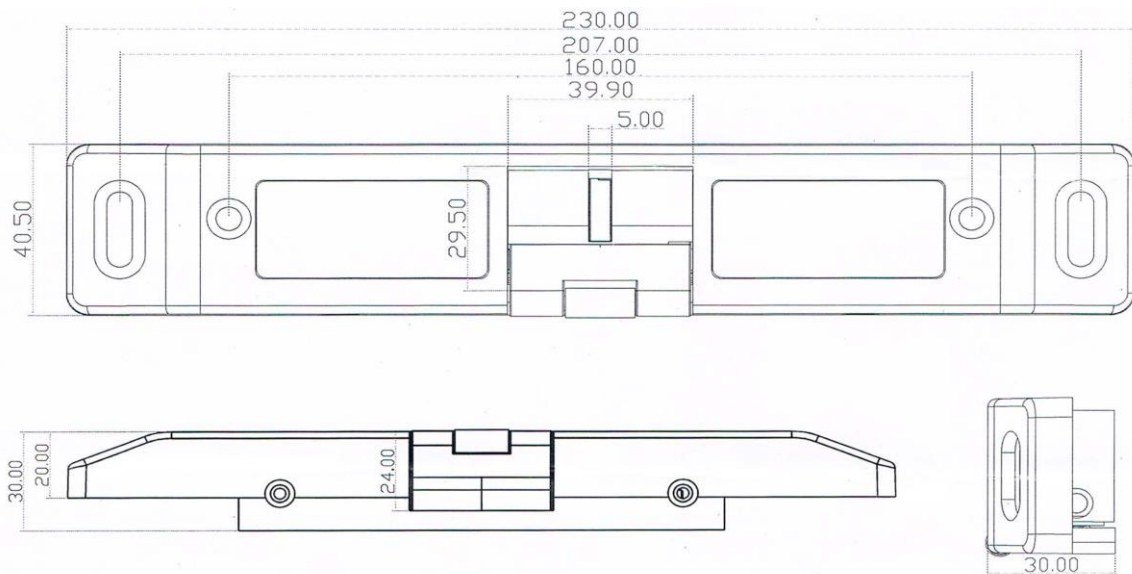
## DATA SHEET AND CONNECTING INSTRUCTIONS FOR YS 621-S



### Technical Specifications

- Dimension: 230 x 40 x 30 (mm)
- Material: Stainless steel (304)
- Voltage: 12 V DC
- Operating current: 220 mA
- Holding force: 1000 Kg
- Type of lock: Fail Safe (NC)/Fail Secure (NO) (selectable)
- Output signal (sensor): Lock status (NC/NO/COM)
- Operating temperature: -10°C a 55°C
- Door opening angle: 90°
- Suitable for crash and panic bars
- Weight: 0.75 Kg

### Dimensions

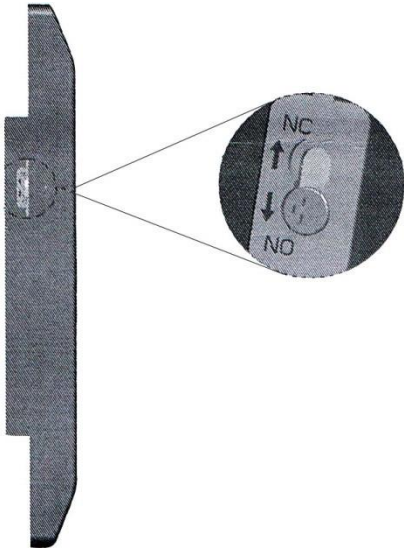




# Triplow W



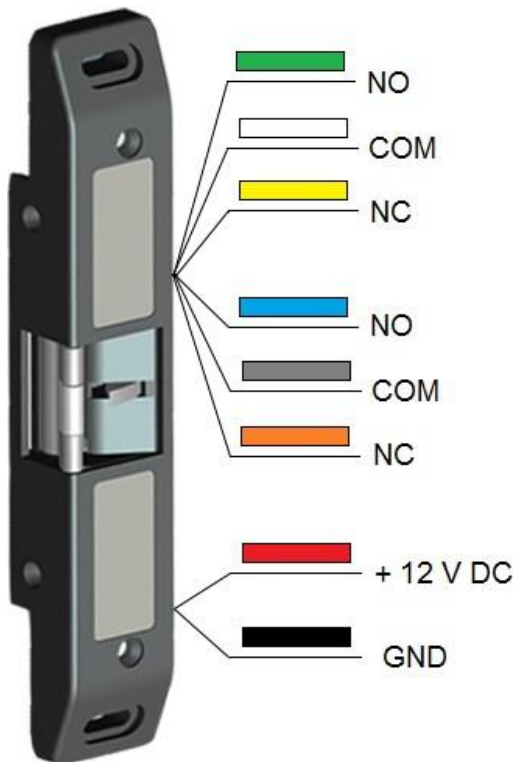
## Choosing type of lock - NO/NC



### How to change the lock between NO and NC:

1. Loosen up the screw, without removing it completely from the hole.
2. Slide the screw sideways to the other end, NC or NO.
1. Screw back on.

## Output Signals (Sensors)



### Lock status:

- NC Contact – Door open
- NO Contact – Door closed

### Locked/unlocked:

- NC Contact – Door closed/locked
- NO Contact – Door open/unlocked

• For fail-safe mounting, the contact for changing the lock is NC.

• For fail-secure mounting, the contact for changing the lock is NO.





# Triplow W

YS 621-S



## Mounting/Application

