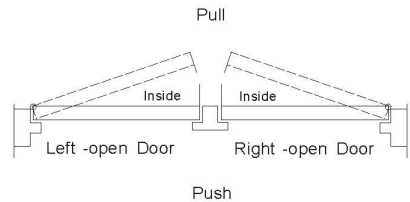


# A-A DOOR CLOSER INSTALLATION INSTRUCTIONS

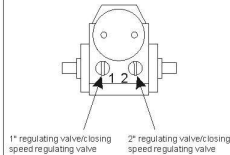
## Determine the door direction



## Adjustment after installation

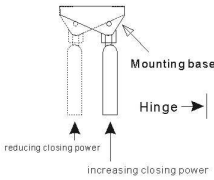
to adjust closing speed and latching speed

- Clockwise (adjustment) to slow down
- Counter clockwise (adjustment) to speed up



1\* regulating valve/closing speed regulating valve  
2\* regulating valve/closing speed regulating valve

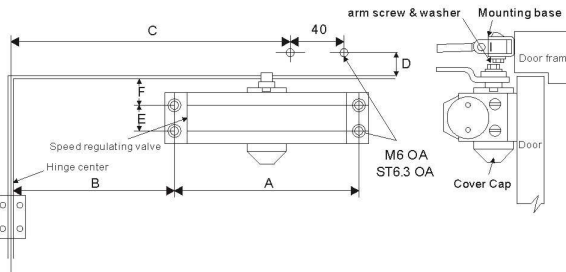
Adjustment on closing power



## Standard installation: vertical installation on door of pull side

right-open door installation drawing

Same dimensions apply for Left hand door measured from the hinge edge



### Installation Instructions

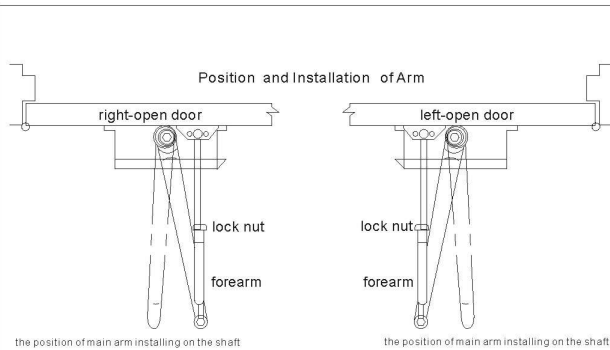
1. Select degree of opening and use dimensions shown in above templateto mark holes on door and door frame, and then install door closer.
2. Place main arm on shaft on top of door closer as illustrated.
3. When install be the door closers body, the regulating valve should be face to hinge side.
4. Attach the arm shoe of the forearm to the door frame.
5. adjust the length of forearm so when it is attached to main arm it will be at a right angle(90°) to door (when door is closed and assemble at elbow then tighten locknut.)Meanwhile, to connect forearm and main arm by screw and washer.
6. Place cover cap over shaft at bottom of closer and turn slightly to secure.
7. Do not spin regulating valve out of closer mount, it will cause oil leakage and unadjustment.

NOTICE: before install hold-shop function door closer, do not spin the shaft beyond 180°, it will destroy closer greatly.

1

Unit: <mm>

Installation dimensions	A	B	C	D	E	F	Opening angle	Door weight	
							angle spring/ double spring	single spring	double spring
A-A	188	115	270	35	19	14	150°	60kg	85kg
	188	95	250	35	19	14	170°		

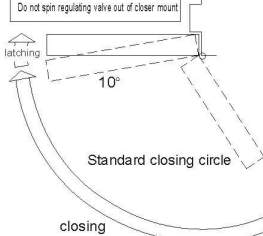


the position of main arm installing on the shaft

the position of main arm installing on the shaft

Closing speed control

Notice: Do not spin regulating valve out of closer mount

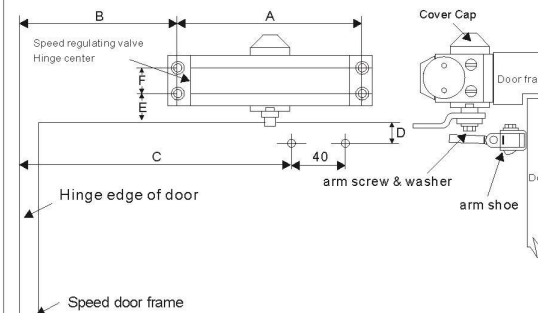


Regulating closing door time: from 90° to close to 4-6 seconds, if for elders and children, the closing time can be longer.

## Door frame installation: Closer mounted on top jamb on push side of door

Door closer for hand dor installation drawing

Same dimensions apply for Left door measured from the hinge edge



### Installation Instructions

1. Select degree of opening and use dimensions shown in above templateto mark holes on door and door frame, and then install door closer.
2. Place main arm on shaft on top of door closer as illustrated.
3. When install be the door closers body, the regulating valve should be face to hinge side.
4. Attach the arm shoe of the forearm to the door frame.
5. adjust the length of forearm so when it is attached to main arm it will be at a right angle(90°) to door (when door is closed and assemble at elbow then tighten locknut.)Meanwhile, to connect forearm and main arm by screw and washer.
6. Place cover cap over shaft at bottom of closer and turn slightly to secure.
7. Do not spin regulating valve out of closer mount, it will cause oil leakage and unadjustment.
8. When installation, this arm is only suitable for 50mm thickness of door frame, if above 50mm thickness, the straight arm need be longer.

Unit: <mm>

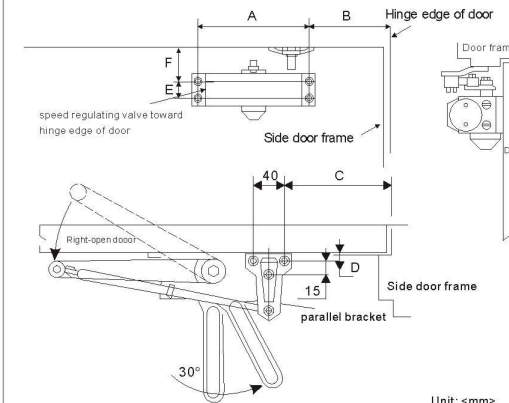
Installation dimensions	A	B	C	D	E	F	Opening angle	Door weight	
							angle spring/ double spring	single spring	double spring
A-A	188	100	210	30	19	20	160°	60kg	85kg

2

## Parallel arm installation: Closer mounted on door on push side (Notice: parallel arm installation must use flower hole arm and parallel bracket)

Door closer for hand dor installation drawing

Same dimensions apply for Left door measured from the hinge edge



### Installation Instructions

1. Select degree of opening and use dimensions shown in above templateto mark holes on door and door frame, and then install door closer. (Notice the valves must be back to hinge.)
2. Place main arm on shaft on top of door closer as illustrated.
3. Make the top of the axle in the door closer turn about 30 degrees as shown in the gram with a spanner. Fix the moving arm onto the top of the axle and tighten the screw of the moving arm. Then the moving arm will pre-press onto the door.
4. Adjust the length of forearm so when it is attached to main arm it will be at a right angle(90°) to door (when door is closed and assemble at elbow then tighten locknut.)Meanwhile, to connect forearm and main arm by screw and washer.
5. Place cover cap over shaft at bottom of closer and turn slightly to secure.
6. Do not spin regulating valve out of closer mount, it will cause oil leakage and unadjustment.

Unit: <mm>

Installation dimensions	A	B	C	D	E	F	Opening angle	Door weight	
							angle spring/ double spring	single spring	double spring
A-A	188	145	155	10	19	78	160°	60kg	85kg

3

IMPORTANT NOTICE: Let door to door closing by power of door closer, Please do not add extra power, it will damage the door closer.