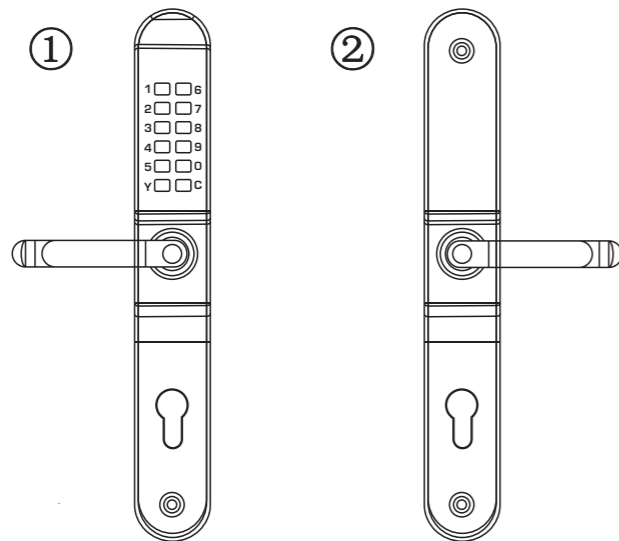
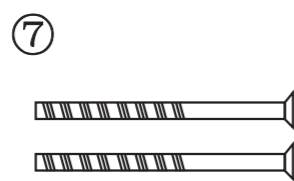
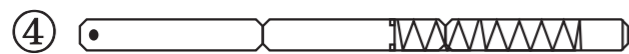
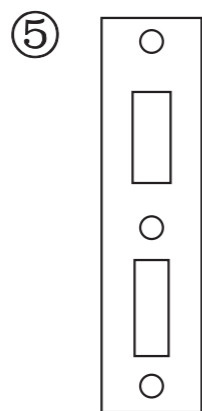
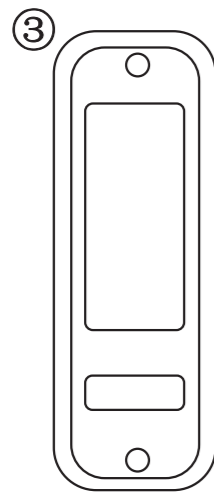


# Simple code change handle password lock



Box Contents:

- 1、 Front plate
- 2、 Back plate
- 3、 Neoprene seals
- 4、 Spindle
- 5、 Strike plate
- 6、 Wood screws
- 7、 Fixing bolts



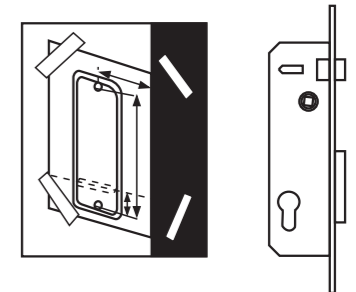
## Special note

Check that the parts are normal before starting installation: enter the password according to the user's request, then insert the spring direction of the lock shaft into the locked wheel square hole outside the door, enter the password correctly, and then rotate the handle to allow it to automatically bounce back. If you want to change your password, you need to change it before installation. Please refer to the password change instructions for details. Before the lock body is installed, the user should distinguish the left and right according to the actual opening and closing directions of the door body, and adjust the direction of the lock body outside the door and the lock body inside the door correctly, and ensure that the handle should be free to install.

## Install

The opening of the door panel

- 1、 Place the open panel on the door to make sure you install it at a proper distance from the fold position(60mm) of the locking tongue(see illustration).
- 2、 According to the marks of each hole and drill six 10mm holes.
- 3、 Chisel out a row of grooves to arrange 4 10mm holes.
- 4、 Mark a midpoint at the distance from the door, which is located on the midline of the lock.
- 5、 Drill a hole with a diameter of 25mm and a depth of 85mm.
- 6、 Install the lock in the hole and mark the perimeter with a panel line.
- 7、 Push the lock tongue and cut off the 3mm depth so that the panel is fully balanced with the surface of the door.
- 8、 Lock the tongue firmly with wooden screws.



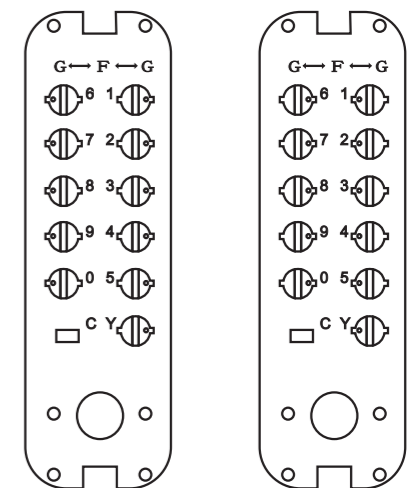
## Enter Change Password

Changing the password simply removes the lock from the door. On the back of the digital lock you can see the two rows of screw buttons associated with the button in front of the lock.

To set a key with a password command, you simply rotate the screw of the corresponding button so that it is in the direction of the dot(in the direction of F). If you want to set a button without a password command, The screw that rotates the corresponding button makes its dot outward(in the direction of G).

Set Password Before you are ready to install, check the lock password to ensure that the password is properly installed and closed

All passwords off. All Passwords Open



## Door frame baffle

- Install the door frame baffle on the door to align it with the locking screw;
- Mark the inside and outside of the door frame baffle and then cut out the 1 mm pit so that it is closely bound to the surface of the door border;
- A groove is chiseled or cut against the locking screw;
- Match the baffle with a wooden screw to ensure correct position. That bolt should be easy. Enter the hole and do not loosen easily. Then use the second screw to completely tighten up.

## Installation of door lock shaft

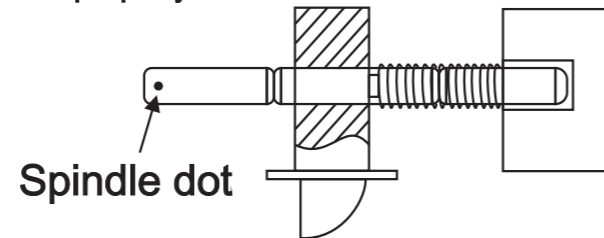
1、 The shaft attached to the lock is a shaft with a spring structure. The purpose is to keep the spin line of the shaft at the end of the installation. In the center of the wheel of the lock, the lock can work properly.

(See illustration)

2、 The attached shaft can be used on doors with a door body thickness of 35-60mm.

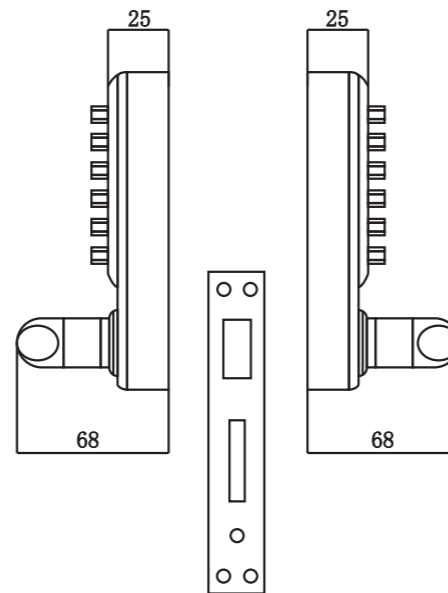
3、 When installing the shaft, remember that the direction of the shaft dot is upward, and the part of the lock outside the door must be inserted to the end.

4、 The handle will be lifted upwards after closing to automatically lock back.



## Fixed locks

- 1、 Modify the screw to a standard suitable for the thickness of the door.
- 2、 Install the door lock and door lock with adhesive pad in the designated position of the door.
- 3、 Fold each part from the top and bottom of the back plate respectively with a fixed screw.
- 4、 Ensure that the lock is vertical, the center of each department is consistent, and the mechanical parts are tested for flexibility before final mounting.



## Adjust the handle

There is a screw in the handle hole. You can use a screwdriver to unscrew it and remove the screw to make the handle turn, rotate in the right direction and tighten the screw. (The front and rear handles are the same way to adjust direction)

