



TECHNICAL SHEET

Electric Latch 12/24V, AC/DC



SE3/SE1

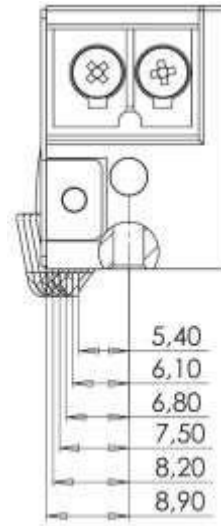
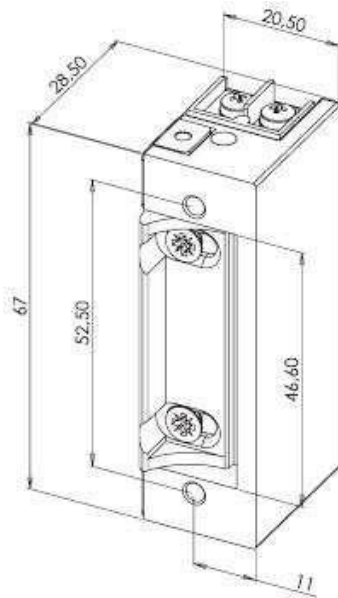
Power Supply	12V DC (SE3) y 12/24V AC/DC (SE1)
Type of Opening	NC – Fail-Safe (SE1) NO – Fail-Secure (SE3)
Suitable for	Metal doors, wood doors
Latch	Adjustable
Dimension	67 (L) x 20.5 (L) x 28.5 (A) mm

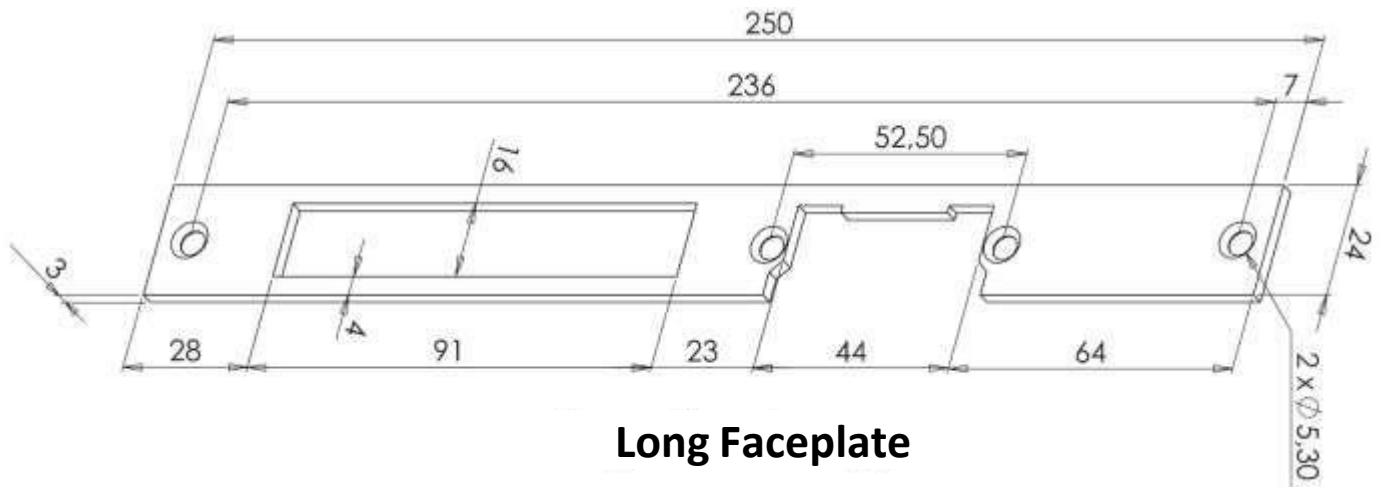
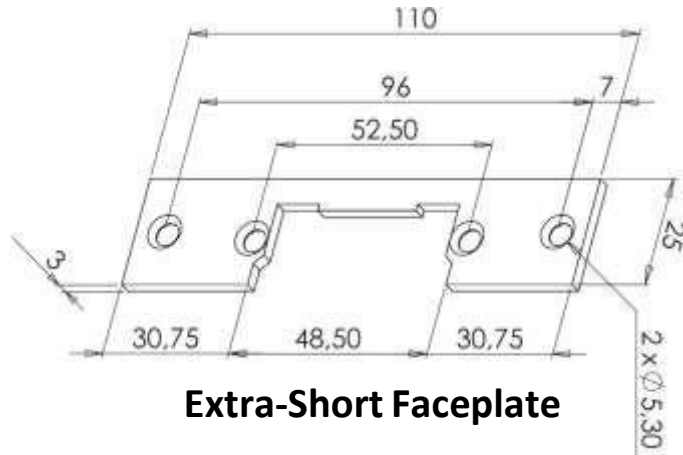
Dimension



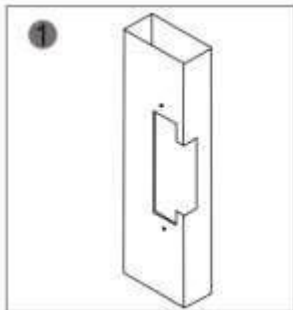


Triplow W

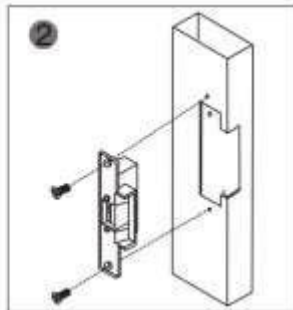




Drilling Diagram



1 Cut a hole according to the size of the latch.



2 Mount the lock and connect the power supply to perform a test.



3 Fit in the electric latch.



4 Finished.



