



Triplow

YS-133(NO)-S



DATASHEET

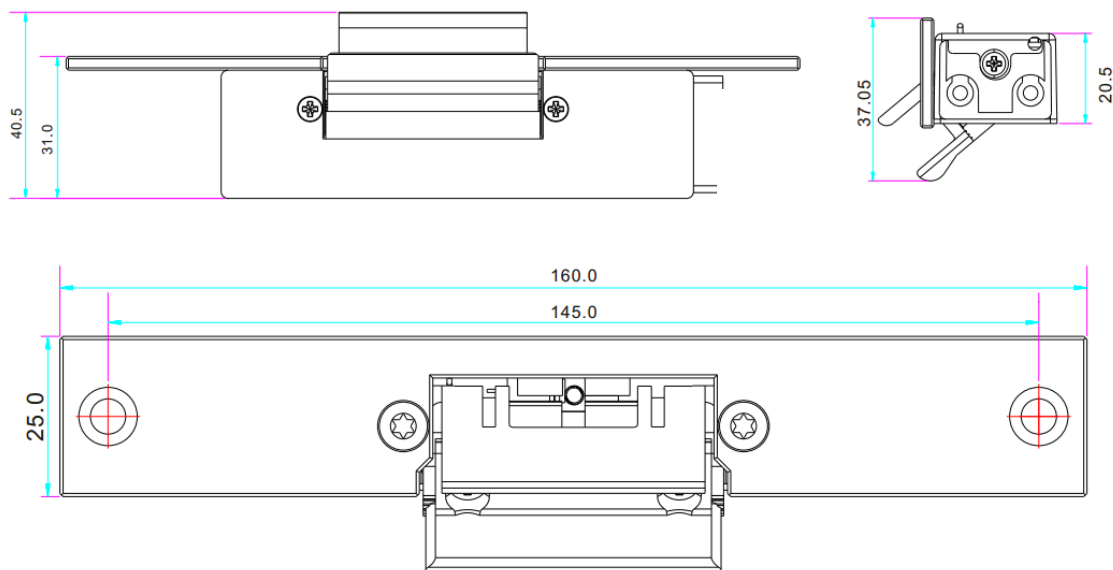
YS-133 (NO)-S electric strike for glass doors



Specifications

Power supply (Voltage)	12V DC
Current	200 mA
Material	Stainless steel
Holding force	500Kg
Type of opening	NO – Fail Safe
Temperature	-10° ~ 55°
Humidity	0% to 90%
Glass thickness	12-15 mm
Weight	0.4Kg
Dimension	160x25x31

Dimension



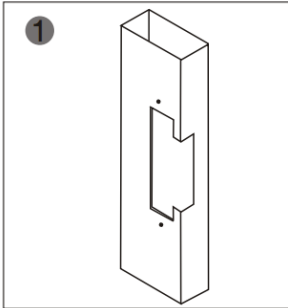


Triplow

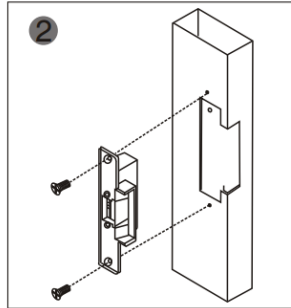
YS-133(NO)-S



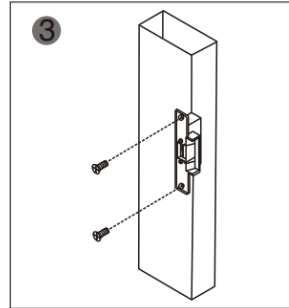
Drilling Diagram



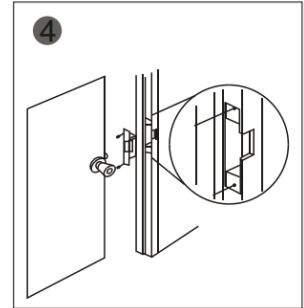
1
Cut the hole according to the size of the latch.



2
Mount the lock and connect to perform a test.



3
Fit in the electric latch.



4
Finished.

Wiring

Door status signal output

White ○ → COM (common)

Yellow ● → NO (normally open)

Green ● → NC (normally closed)

