



Triplow

9X0P10



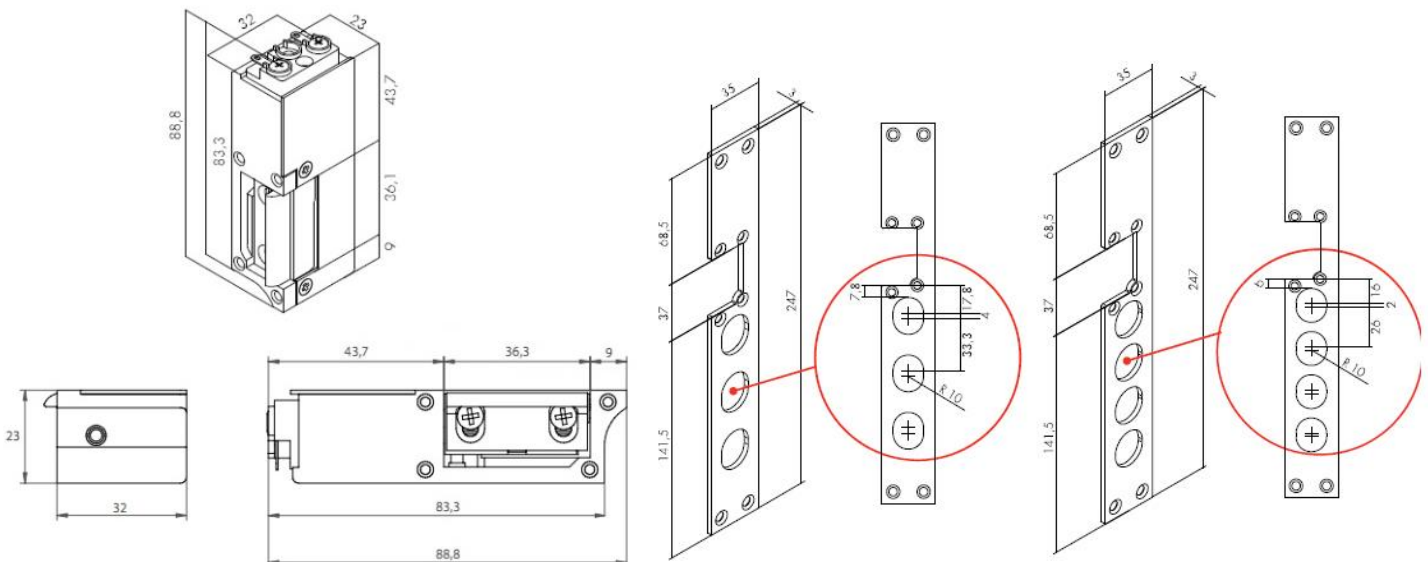
Electric Latch for Armoured Doors, 12V DC



Specifications

Power Supply	12V DC
Current	230mA
Type of Opening	NC Fail-Secure
Suitable for	Metal and Wooden Doors
Dimensions	88.8 (C) x 23 (L) x 32 (A) mm
Holding Force	Up to 4000 N

Dimensions



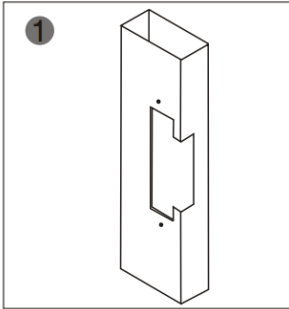


Triplow W

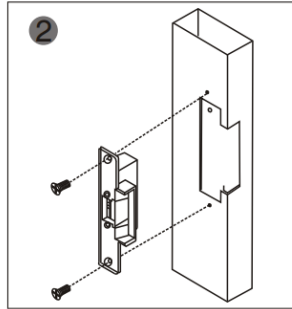
9X0P10



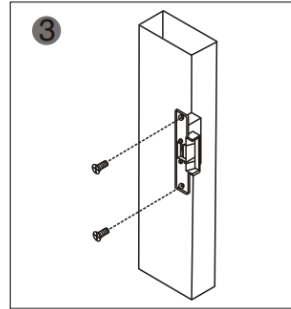
Drilling Diagram



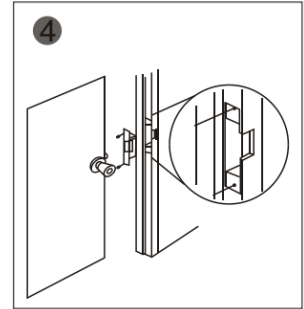
1
Cut the hole according to the latch size.



2
Mount the latch and connect to the power supply to perform a test.



3
Fix the electric latch in place.



4
Finished.