



# Triplow W

5E0Z10



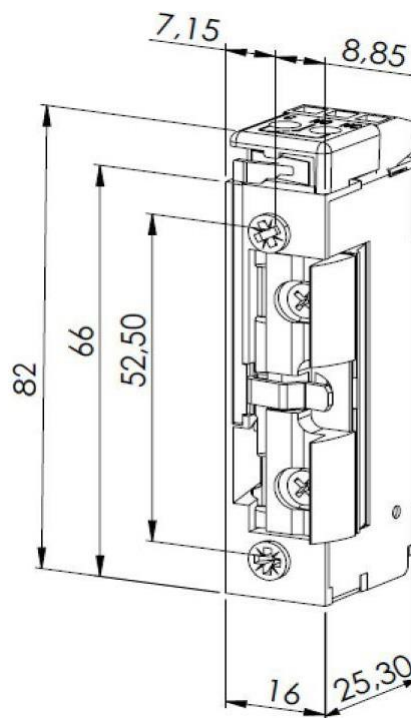
## Small Pre-Load Electric Latch (NC Type), 400N



### Specifications

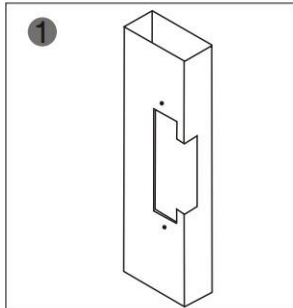
<b>Power Supply</b>	12-24V AC/DC
<b>Type of Opening</b>	NC Fail-Secure
<b>Suitable for</b>	Metal doors, Wood doors
<b>Latch</b>	Adjustable
<b>Dimension</b>	82 (L) x 16 (L) x 25.3 (A) mm
<b>Holding Force</b>	Up to 5000 N
<b>Pre-Load</b>	Opens up with a pre-load up to 400N

### Dimension

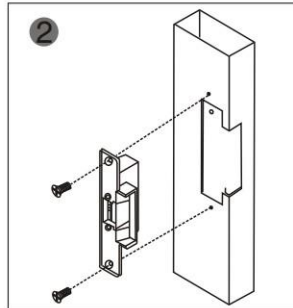




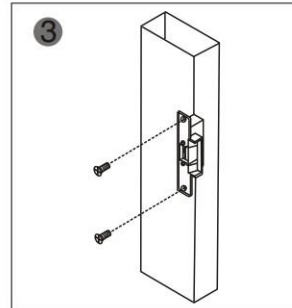
## Drilling Diagram



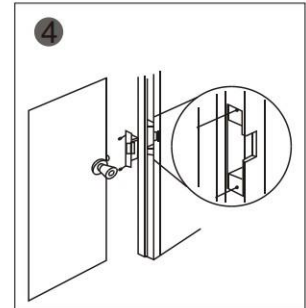
1 Cut a hole according to the size of the latch.



2 Mount the lock and connect the power to perform a test.



3 Fit in the electric latch.



4 Finished.

## Warranty

Every product marketed by Triplow Lda., have a two-year warranty for manufacturing defects.

Every equipment sold is checked at our facilities for defects; and if it is unrepairable, it shall be replaced with a new product, according to the corresponding warranty.

For additional information check our conditions of sale at:

<http://www.triplow.pt/loja/termos-e-condicoes>