



YLI ELECTRONIC



Waterproof Wall Mount Door Holder

Model:YD-611IP

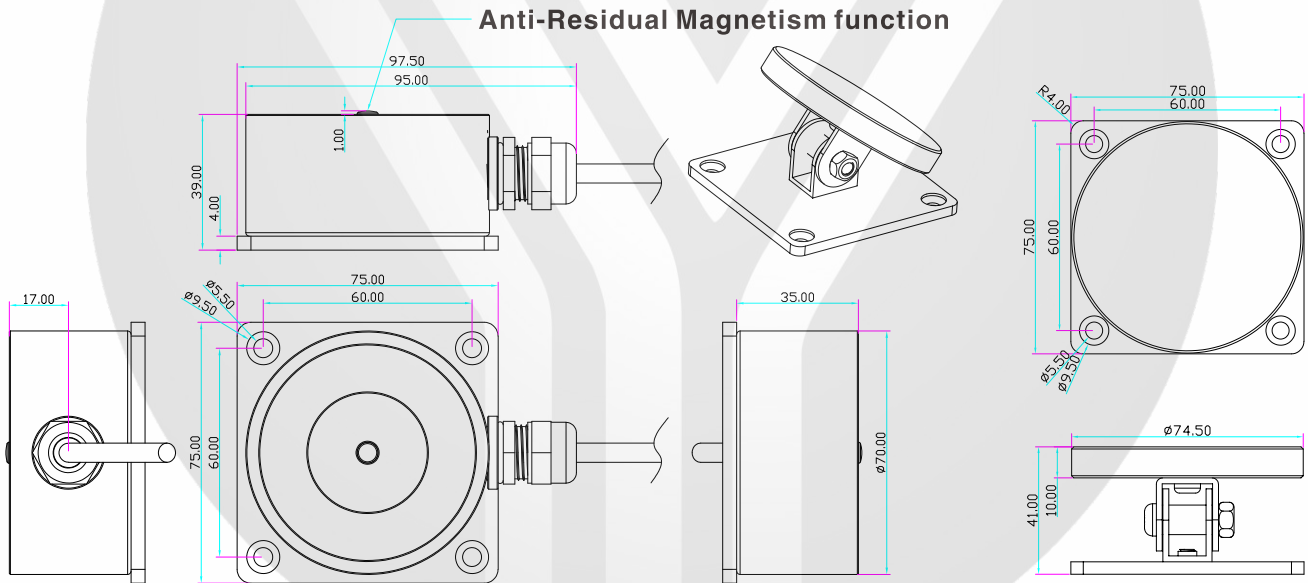
Introduction

1. The Factory default voltage is 12/24VDC Optional
The door holders are designed for use with self-closing fire and smoke barrier doors and keep the fireproof door open.
2. The IP rating is IP68 and holding force is 150kg.It can be used in navigation, ships, and humid environments.

Specifications

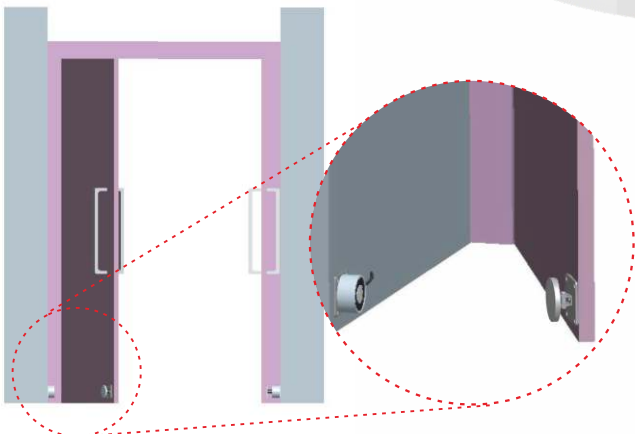
- Size:97.5Lx75Wx40H(mm)
- Suction plate size: Φ 74.5x41(mm)
- Operating Voltage: 12/24VDC Optional
- Operating Current: 0.13A
- Holding Force: 150kg
- Maximum Power:3W
- IP Rating:IP68
- Accessory : 16mm Waterproof connector
- Product Weight:1.66kg

Dimension

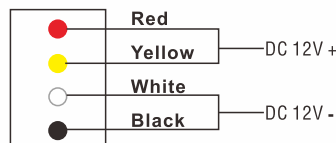


Installation

Wiring Instruction



DC 12V



DC 24V

