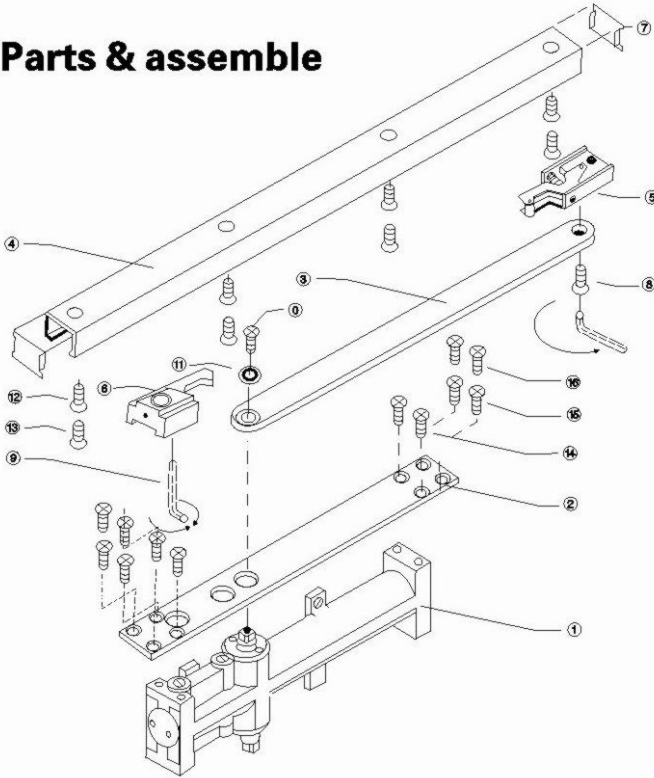
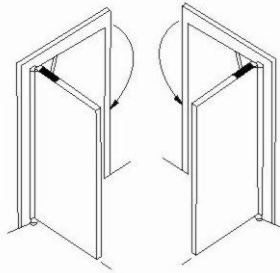


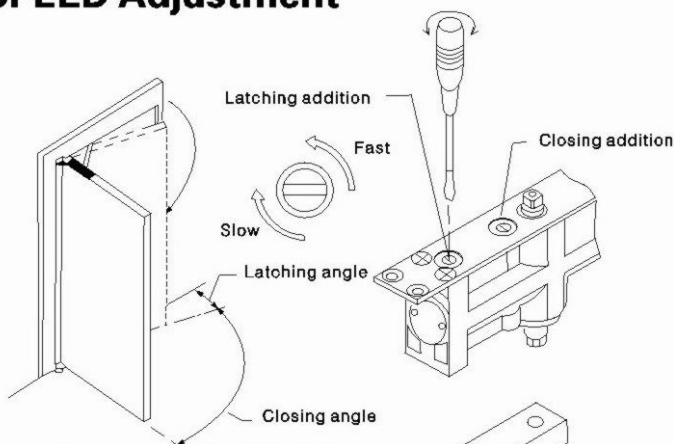
Parts & assemble



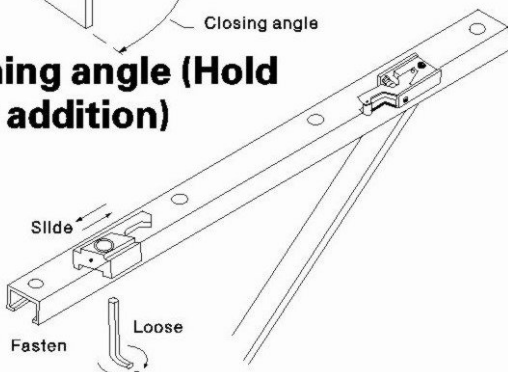
No		
①	Body	1
②	Fixing plate	1
③	Main arm	1
④	Track	1
⑤	Slide plate	1
⑥	Stopper	1
⑦	Steel plate	2
⑧	Fixing screw M8	1
⑨	Wrench 5mm	1
⑩	M5X12L	1
⑪	Washer	1
⑫	M5X15L	4
⑬	3/16"X1"L	4
⑭	M5X12L	4
⑮	M5X15L	4
⑯	3/16"X1"L	4



SPEED Adjustment

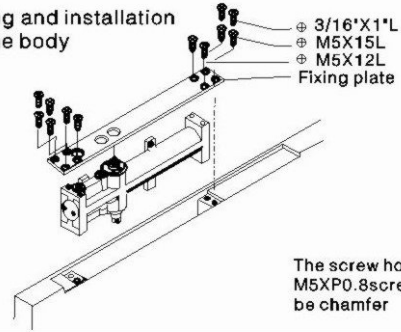


Opening angle (Hold open addition)



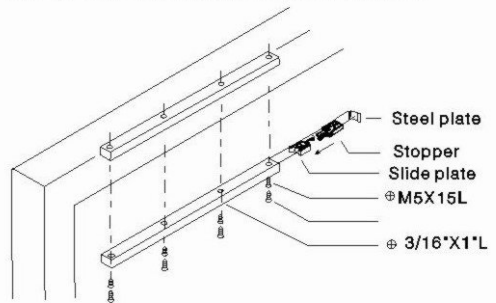
Suitable for RH/LH USE INSTALLATION

① Fixing and installation Of the body

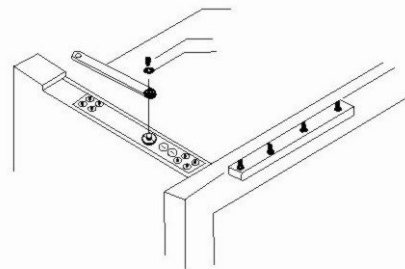


The screw holes for the M5XP0.8screws should be chamfer

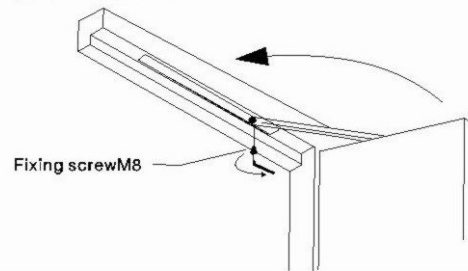
② Fixing and installation of the track arm.



③ Combining the main arm and body



④ Combining the main arm and the sliding plastic part in the track.



⑤ Opening angle and closing speed adjustment

