



TRIPLO W
Criamos Segurança!

Installation Guide
Data Sheet

TW818MR

Electronic Lock Standalone or APP
Code and Card



ATTENTION:

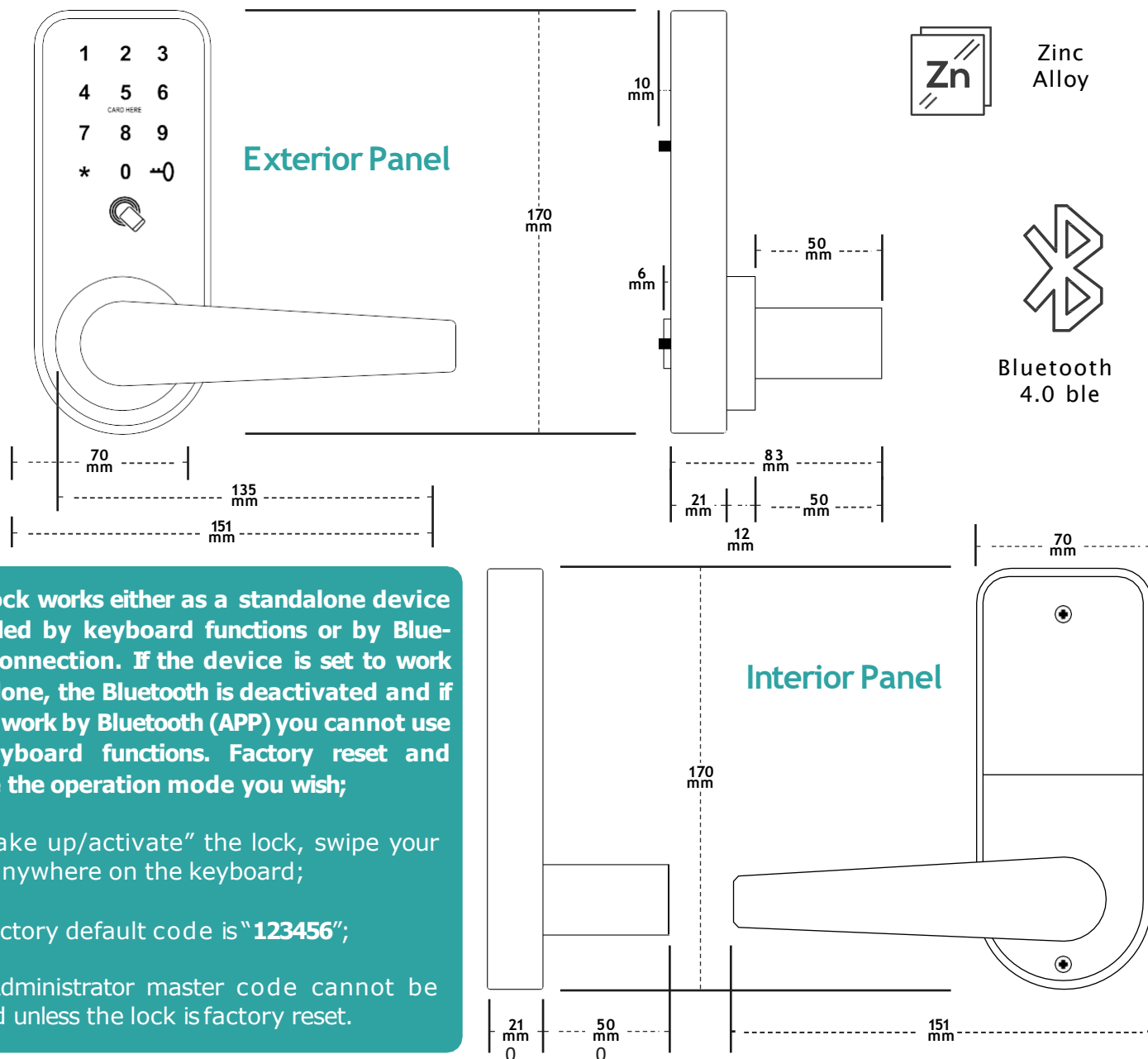
Please read the manual carefully before installation and keep it for future use.

Keep the mechanical keys in a safe place to be able to open the door mechanically in case there is an emergency or if the lock breaks down.

Pay attention to the battery level in order to replace the batteries in time.

www.triplow.pt

Dimensions:

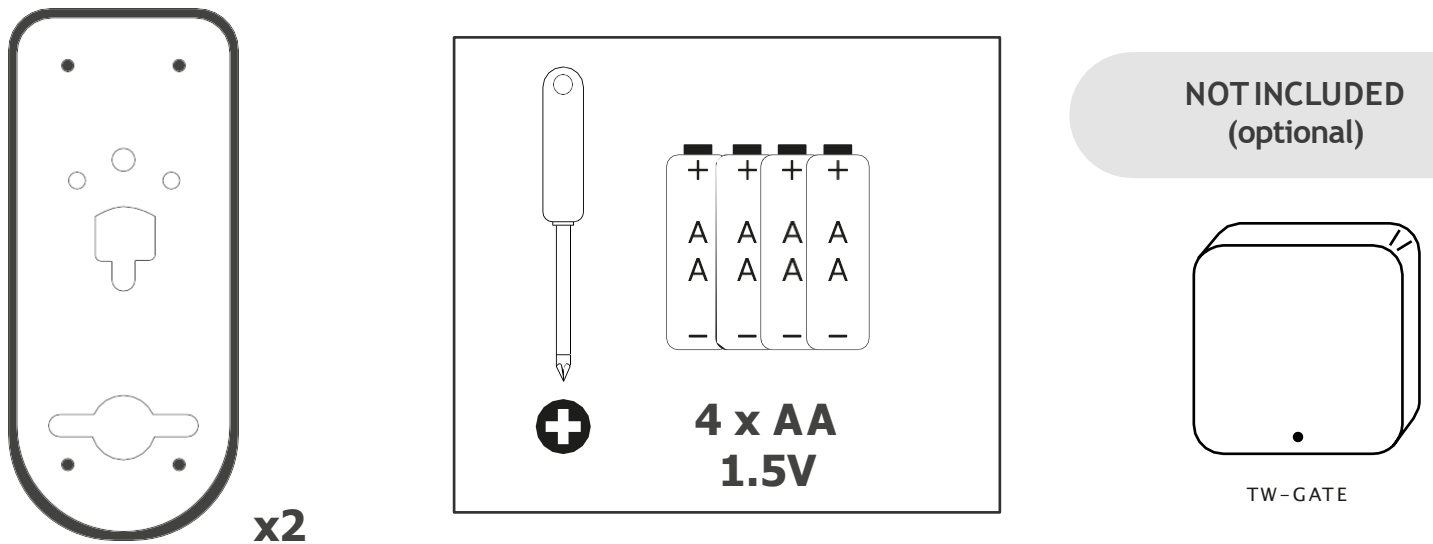
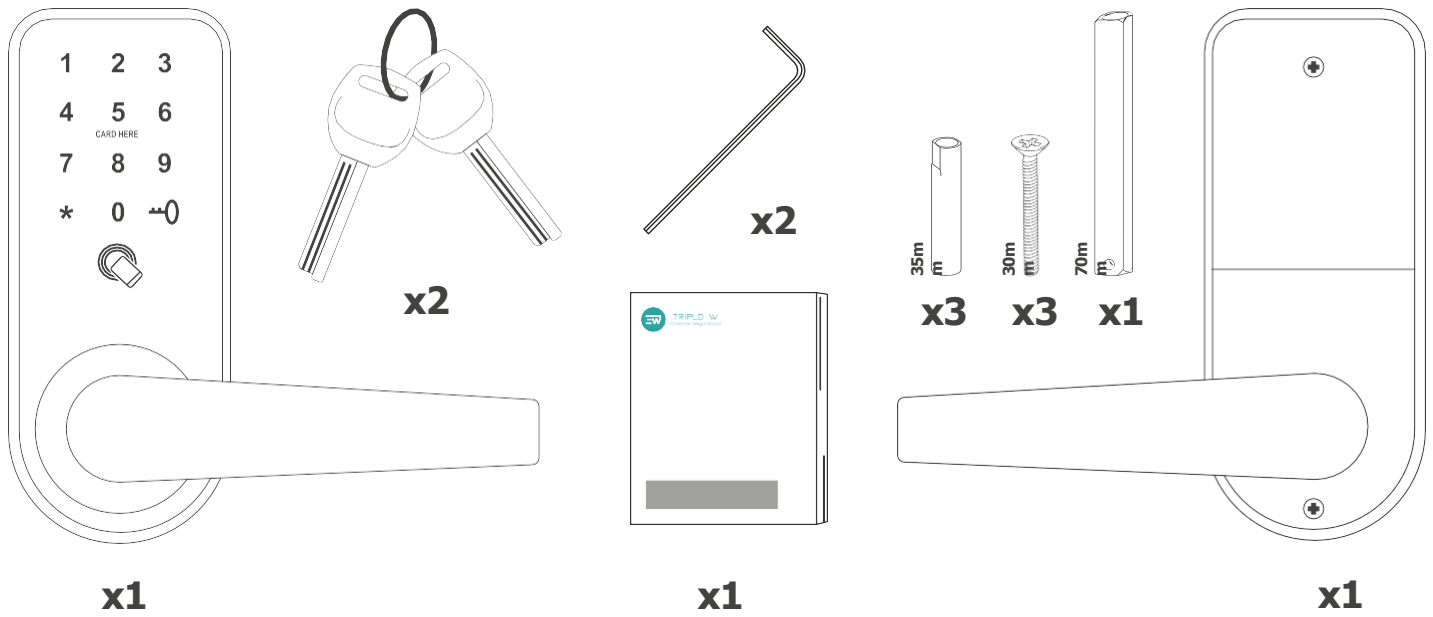


- The lock works either as a standalone device controlled by keyboard functions or by Bluetooth connection. If the device is set to work standalone, the Bluetooth is deactivated and if it set to work by Bluetooth (APP) you cannot use the keyboard functions. Factory reset and choose the operation mode you wish;
- To "wake up/activate" the lock, swipe your finger anywhere on the keyboard;
- The factory default code is "123456";
- The Administrator master code cannot be deleted unless the lock is factory reset.

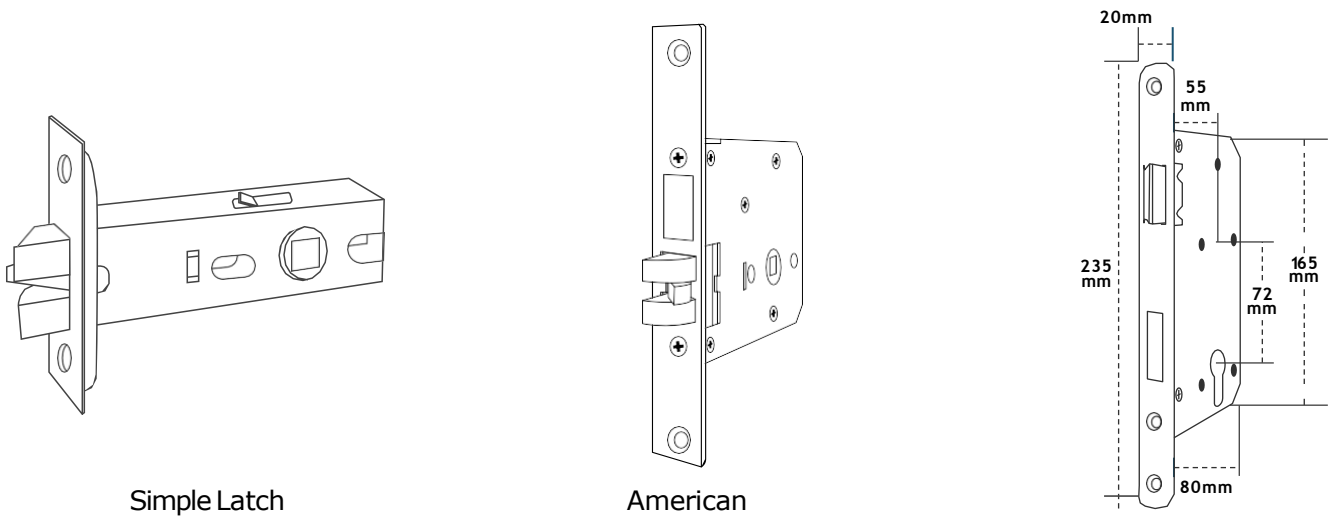
Data Sheet

MODEL	TW818MR
DIMENSIONS (mm)	Exterior Panel - 170 x 70 x 83 mm Interior Panel - 170 x 70 x 71 mm
OPENING WAYS	APP, Code, Proximity Card Mechanical Key (SOS)
WORK TEMPERATURE (°C)	0° +80°
WORK HUMIDITY (%)	15% ~ 95% RH
BATTERIES / VOLTAGE	4 x AA 1.5V Batteries
LOW VOLTAGE ALARM (V)	Inferior to 4.8V

Package Content

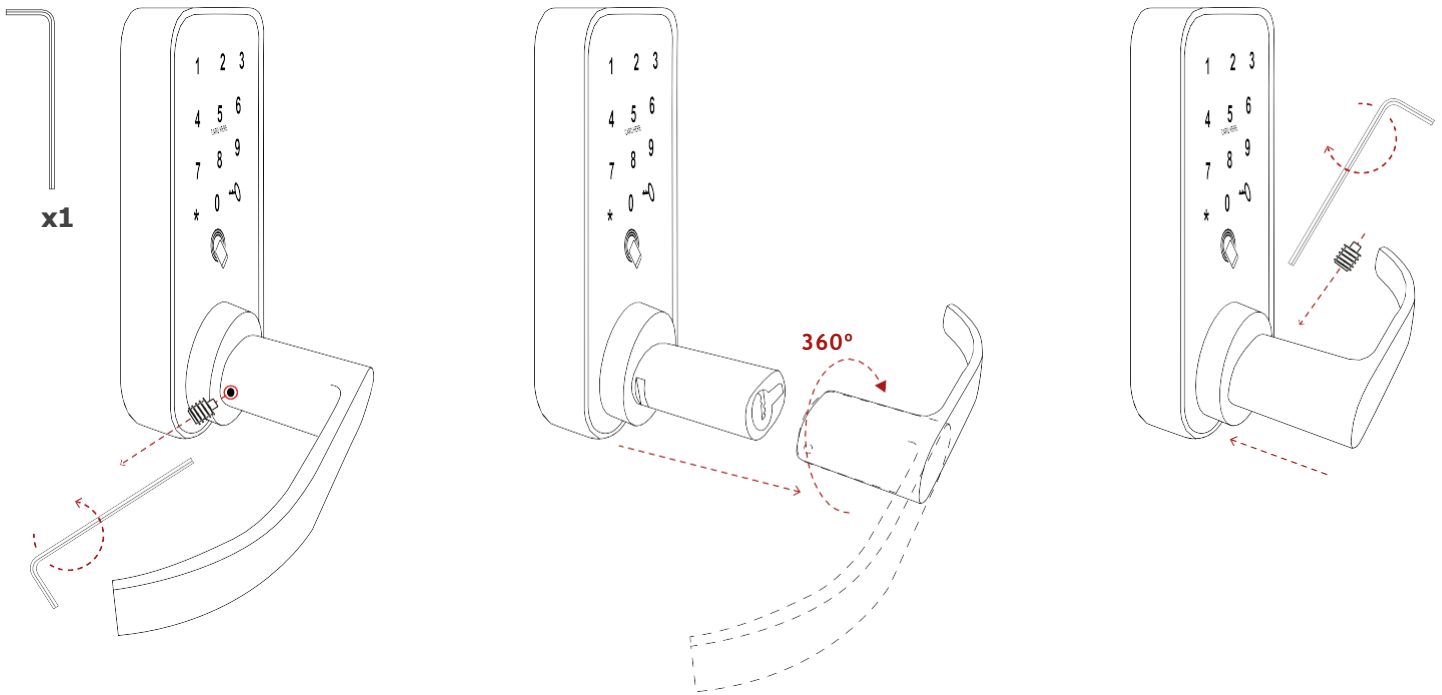


Compatible Mechanical Locks



60/70	45 x 85	55 x 72
Wood or Metal Doors	Wood Doors	Wood or Metal Doors

Turn Handle



Keyboard Operation (Standalone Mode)

FUNCTION	KEYBOARD OPERATION
1. Change Master Code <i>Code length: 6 digits</i>	(without Administrator - factory default code) *12 # 123456 # (New Master Code) # (Repeat New Master Code) # (with master code already changed) *12 # 123456 # (Master Code) # (New Master Code) # (Repeat New Master Code) #
2. Add Codes <i>Code length: 6 ~ 9 digits</i>	* 80 # (Master Code) # (Code) # (Repeat Code) #
3. Delete Codes	<i>Erases ALL codes except for the Administrator</i> * 71 # (Master Code)
4. Change Codes	* 10 # (Current Code) # (New Code) # (Repeat Code) #
5. Add Cards	* 80 # (Master Code) # (Swipe the Card in the Reader)
6. Delete Cards	<i>Erases ALL cards</i> * 69 # (Master Code) #

1 BIP - Repeat | 2 BIP's - Invalid access

3 BIP's - Incorrect access / Operation failure | 4 BIP's - Memory full / Access not registered

TTLock Application Programming



TRIPLO W
Criamos Segurança!

Thank you for purchasing our product!

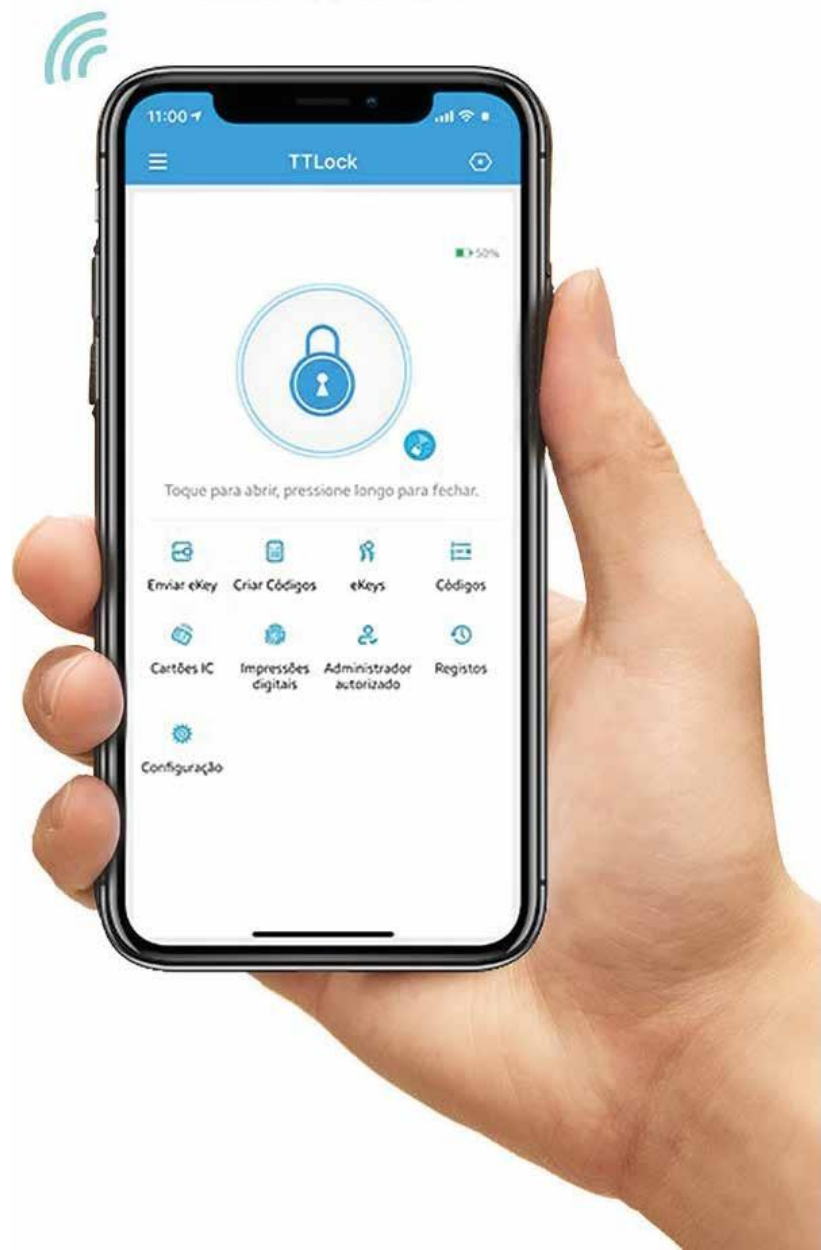
To pair and configure your lock, please use the QR code or the link to access the TTLock manual.



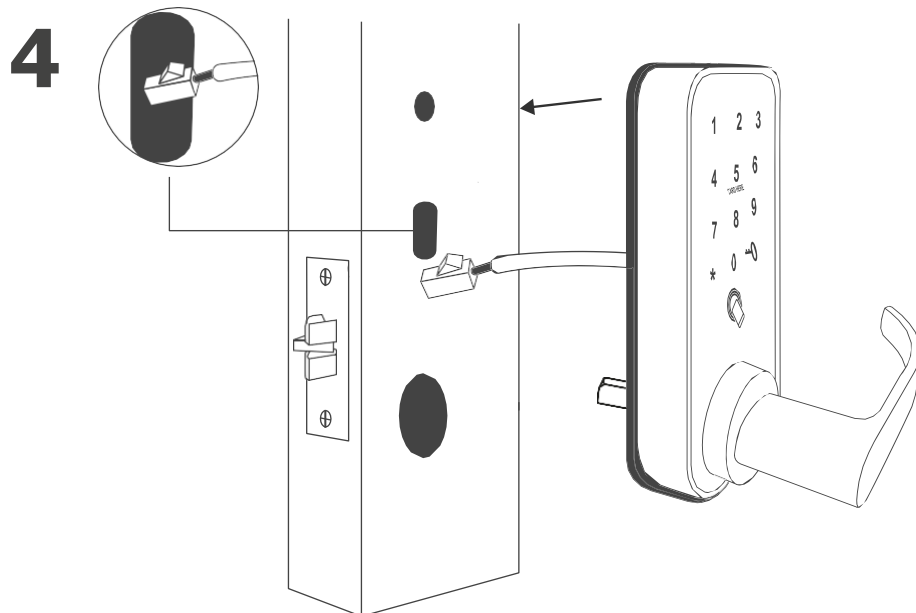
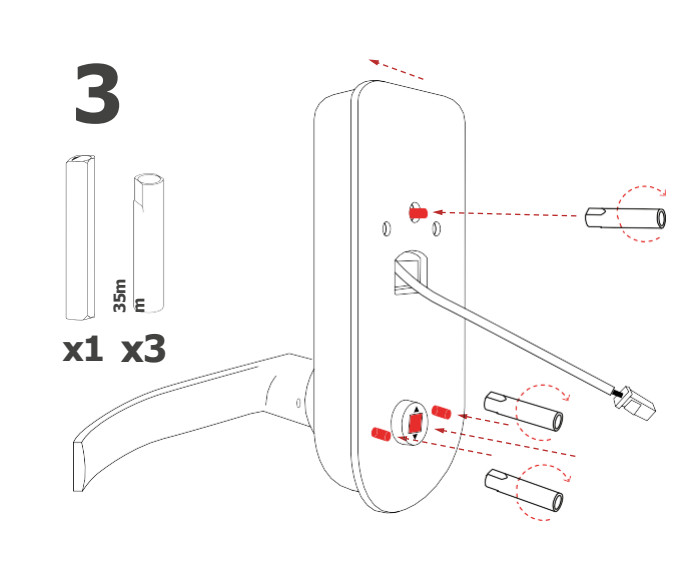
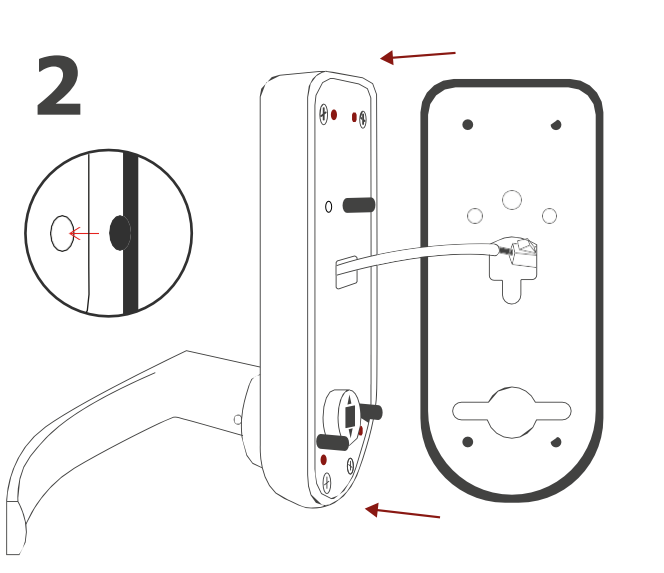
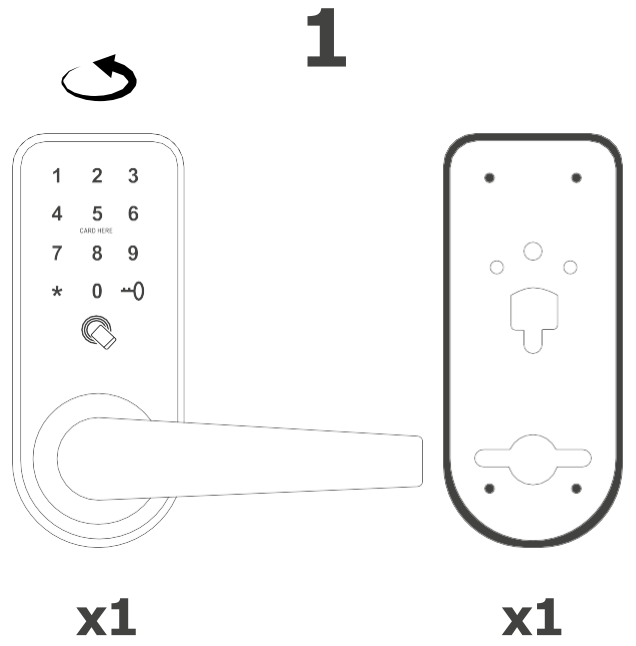
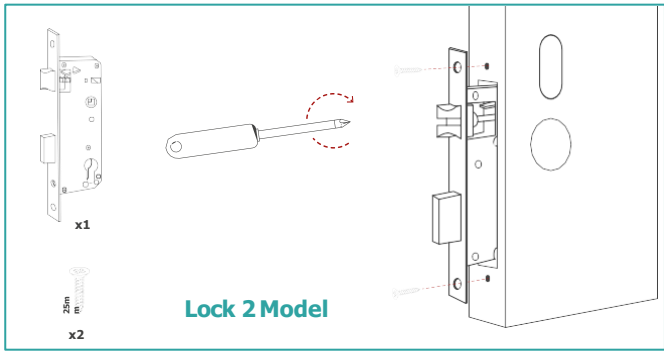
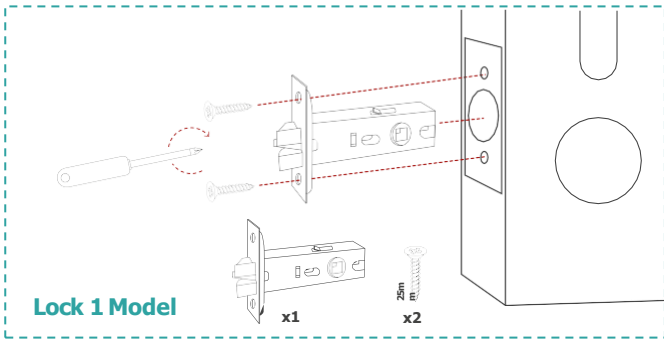
TTLOCK APP



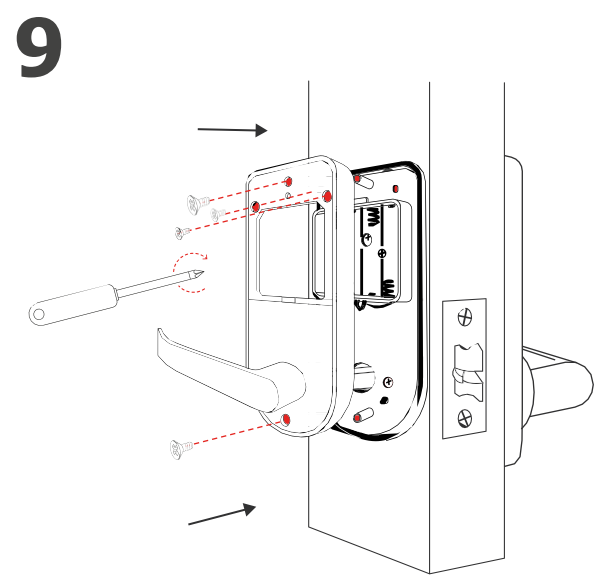
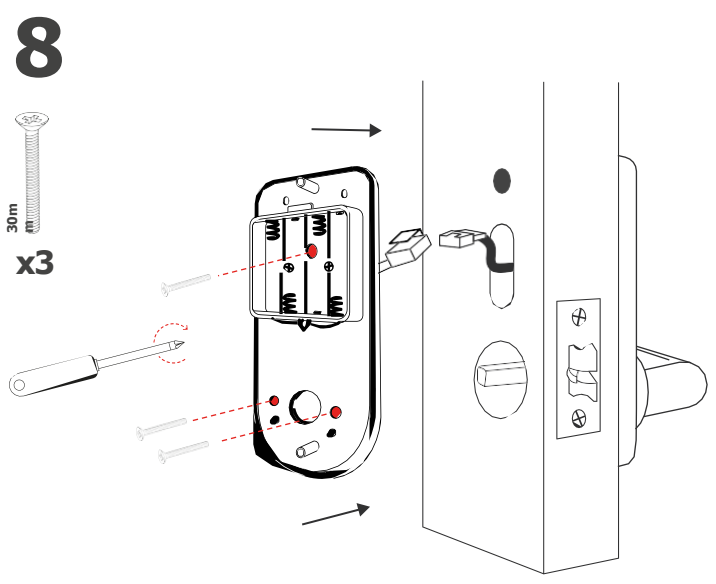
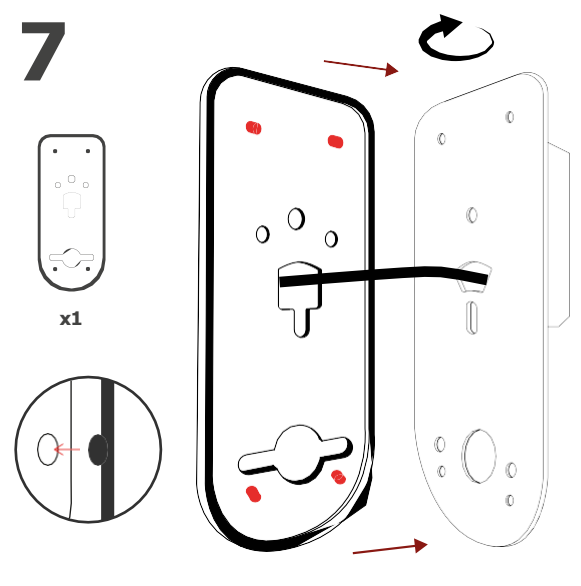
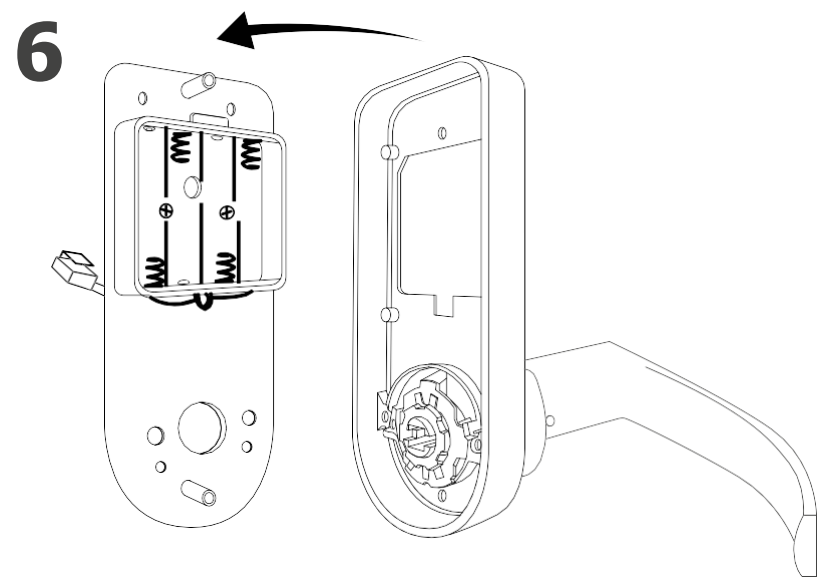
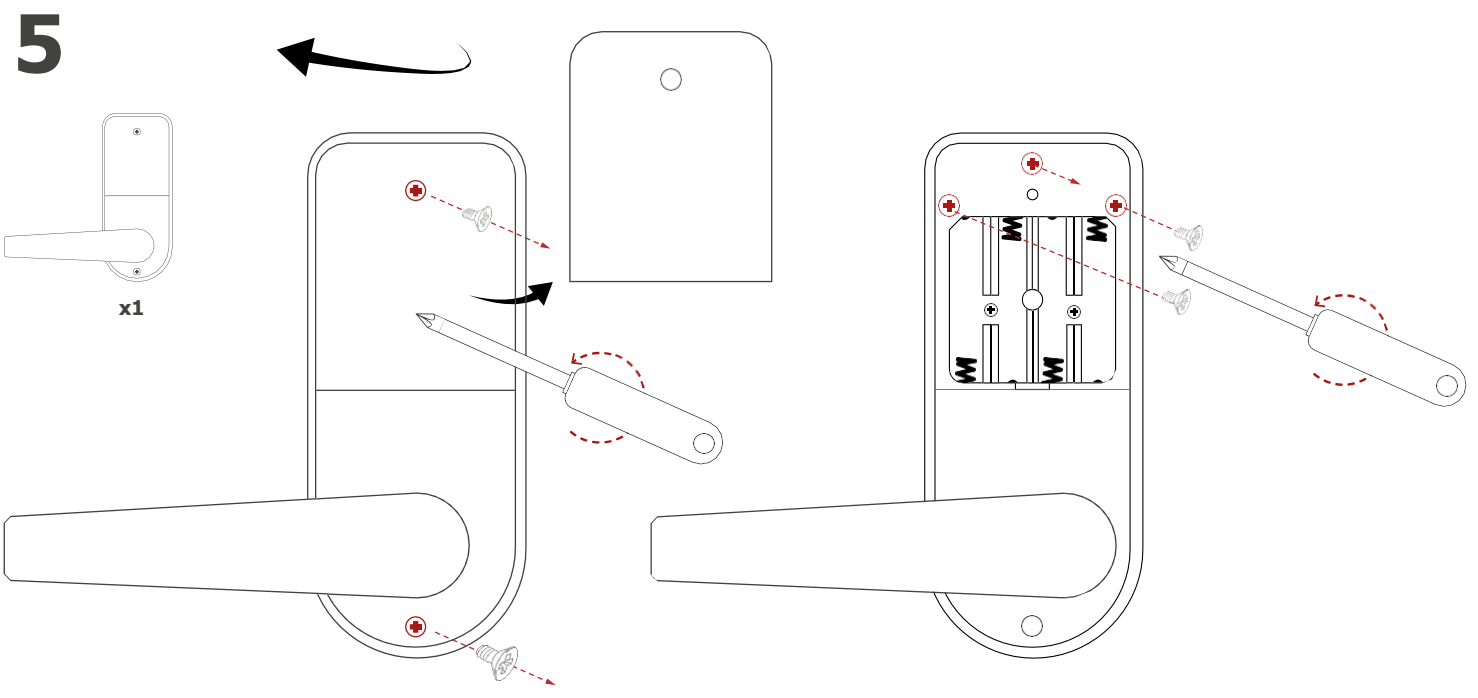
www.triplow.pt/TTLOCK



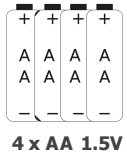
Lock Installation



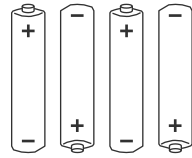
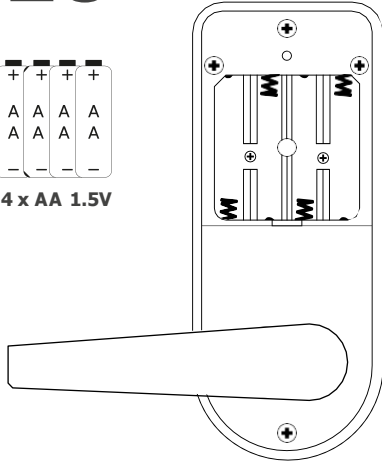
Lock Installation



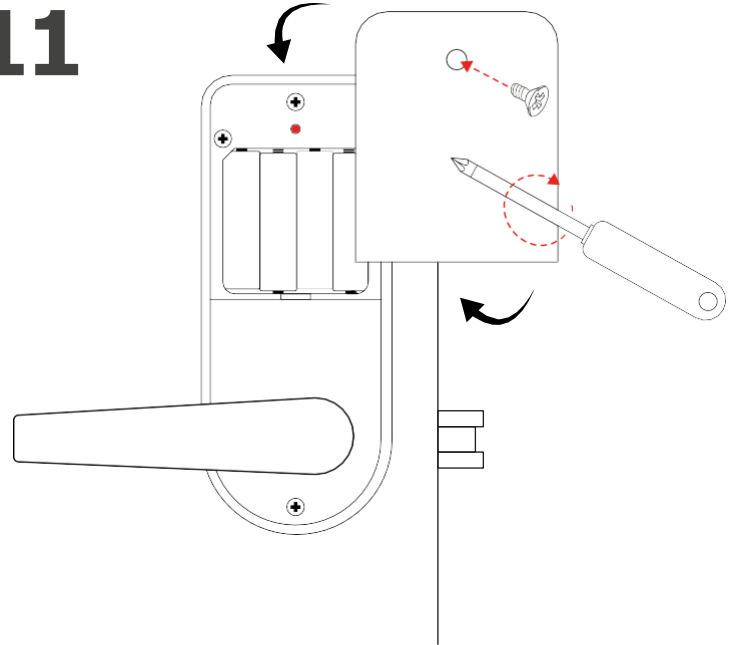
10



4 x AA 1.5V



11



The lock installation is complete!

LOCK RESET

BEFORE completely assembling the lock, we advise to do a **MANUAL RESET**. The **RESET** button is located inside the front panel - to access it you will have to dismantle the back of the front panel, put the batteries and connect both panels using the power cable. To do the **RESET**, just press the **RESET** button continuously for **5 seconds** until the lock emits a sound. Then enter **"000#"** on the keypad on the exterior panel. The reset process is complete and the lock is ready to be paired.

If the lock turns off (eg incorrectly placed batteries come out of place, the process will have to be repeated).



Reset Button

