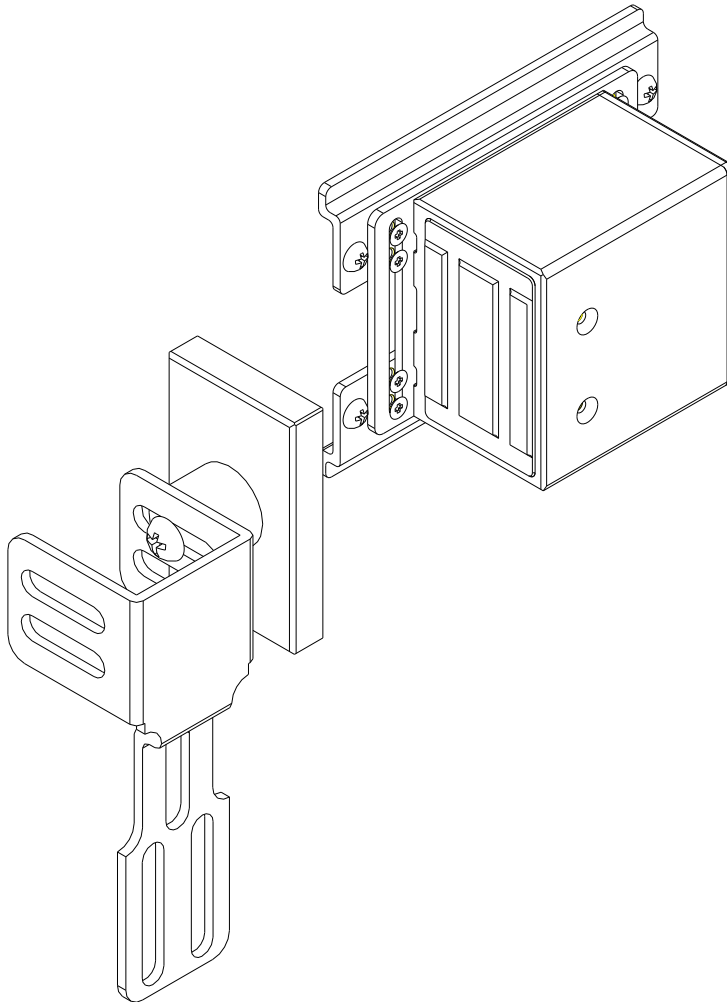


# NE-90XP

## ELECTROMAGNETIC LOCK(FOR AUTOMATIC DOOR) OPERATION AND INSTALLATION MANUAL



# 1. Features introductions

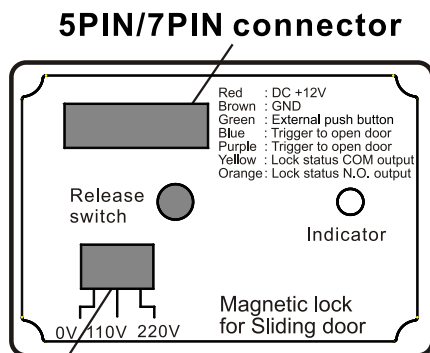
- ★ All-in-one design for easy installation. The lock itself would not have any residual magnetism.
- ★ Adjustable width (59mm~89mm) for use of different sliding doors' slots.
- ★ Armature bracket which can be adjusted horizontally or vertically for better fitting.
- ★ Multi-voltage input design to fit all sliding doors (DC12V, AC110V, AC220V).
- ★ The lock itself is equipped with release switch and indicator for better maintenance of the sliding doors.
- ★ Built-in photocoupler connects with egress delay circuit push button point.
- ★ Maximum holding force of 90kg/180Lbs.
- ★ Currents: 150mA (depending on DC12V testing).
- ★ Dimensions
  - Magnetic lock body : 118.5mm(L) × 66mm(W) × 53.5mm(H).
  - Armature : 63mm(L) × 38mm(W) × 126.5mm(H).
  - Total weight : 1.25kg.

# 2. Model series

NE-90XP : 5PIN connector without lock status point.

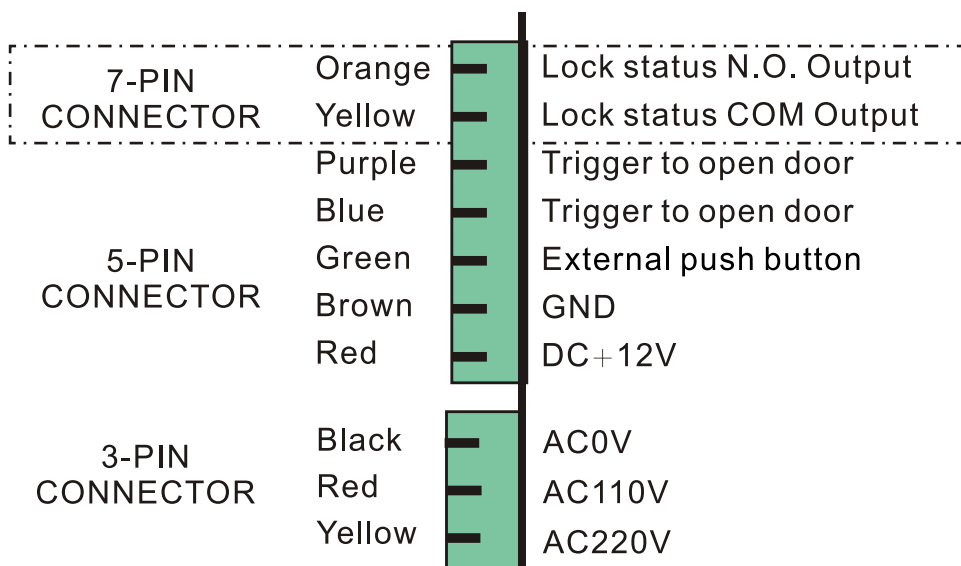
NE-90XP-S : 7PIN connector with lock status point.

# 3. Panel



- ◎ 5PIN connector: DC12V , external push button, triggers to open door.
- ◎ 7PIN connector: DC12V , external push button, triggers to open door, lock status point.
- ◎ Release switch: For better maintenance of sliding door.
- ◎ Indicator (red):
  - (1). Normal state: Blinking
  - (2). Door opening: Light on

# 4. Installation instructions

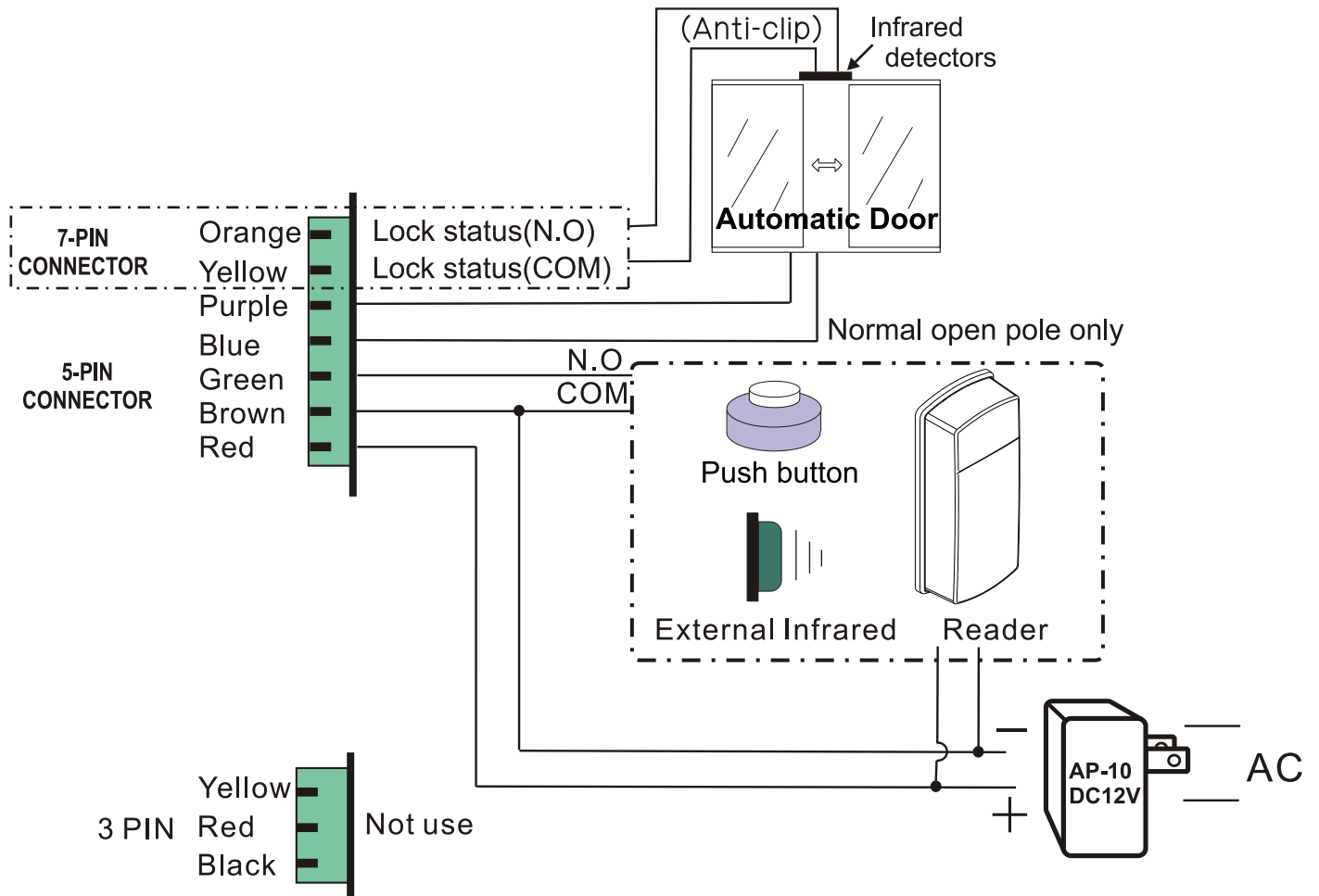


P.S. (1) Please select only one power input (DC12V or 110V or 220V)

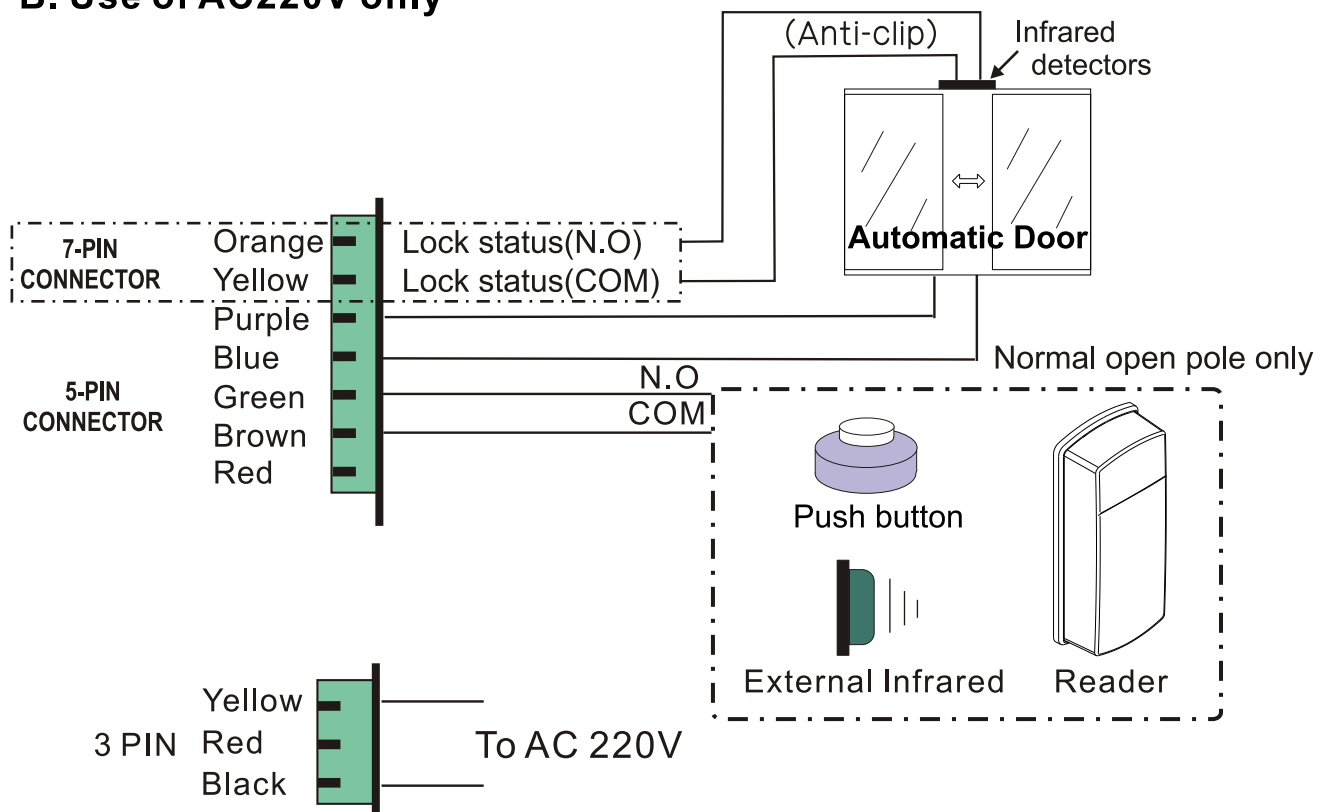
(2) Trigger to door open relay contact rating: 1A@30VDC, 0.5A@120VAC.

# 5. Connector Wiring

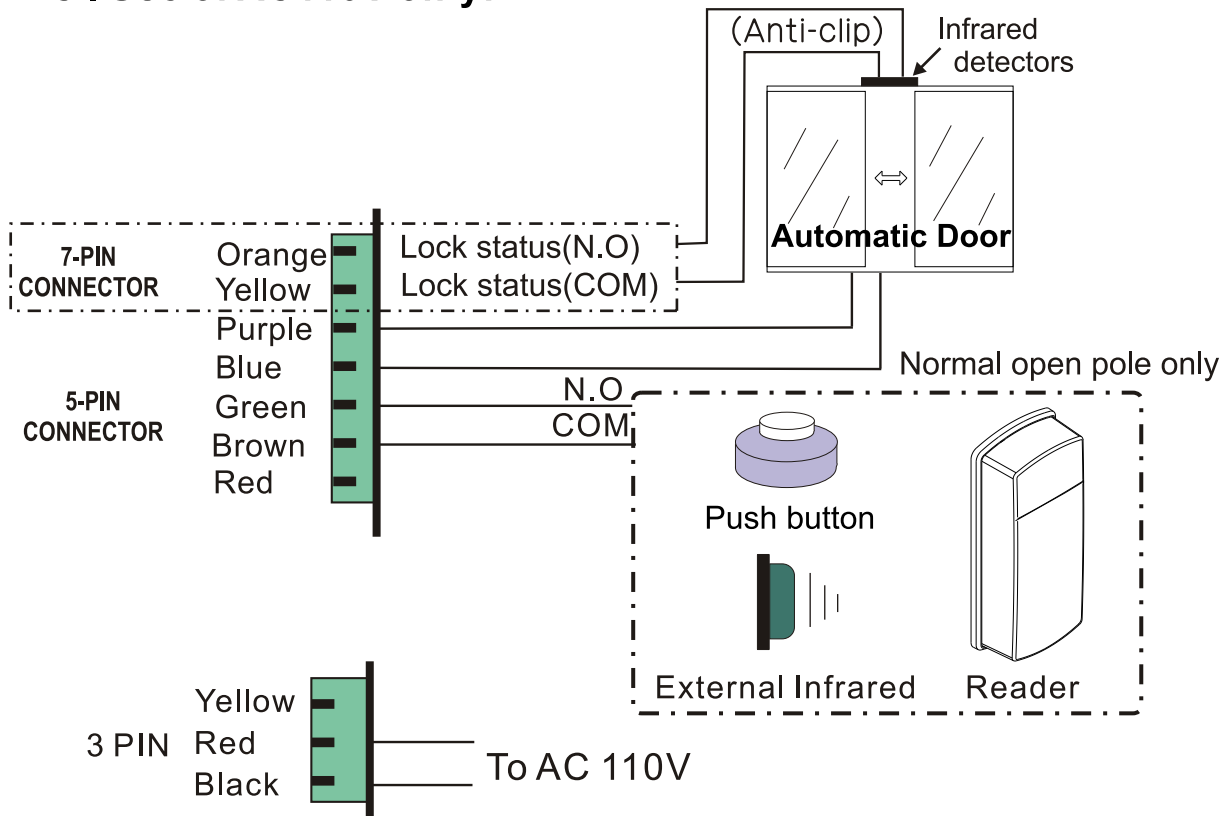
## A. Use of DC12V only



## B. Use of AC220V only



## C . Use of AC110V only:

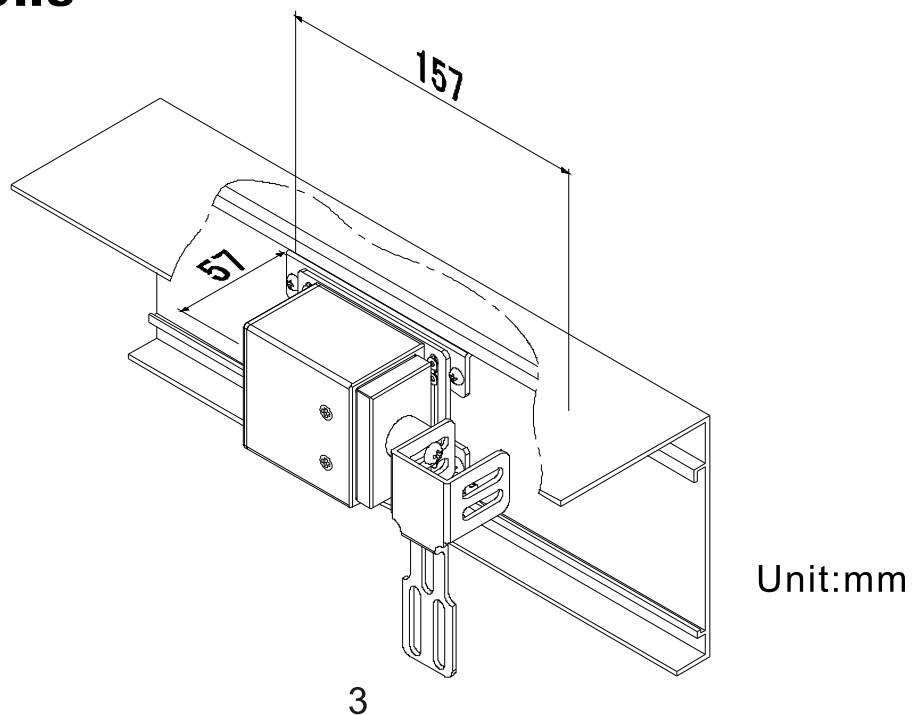


## 6. Precautions

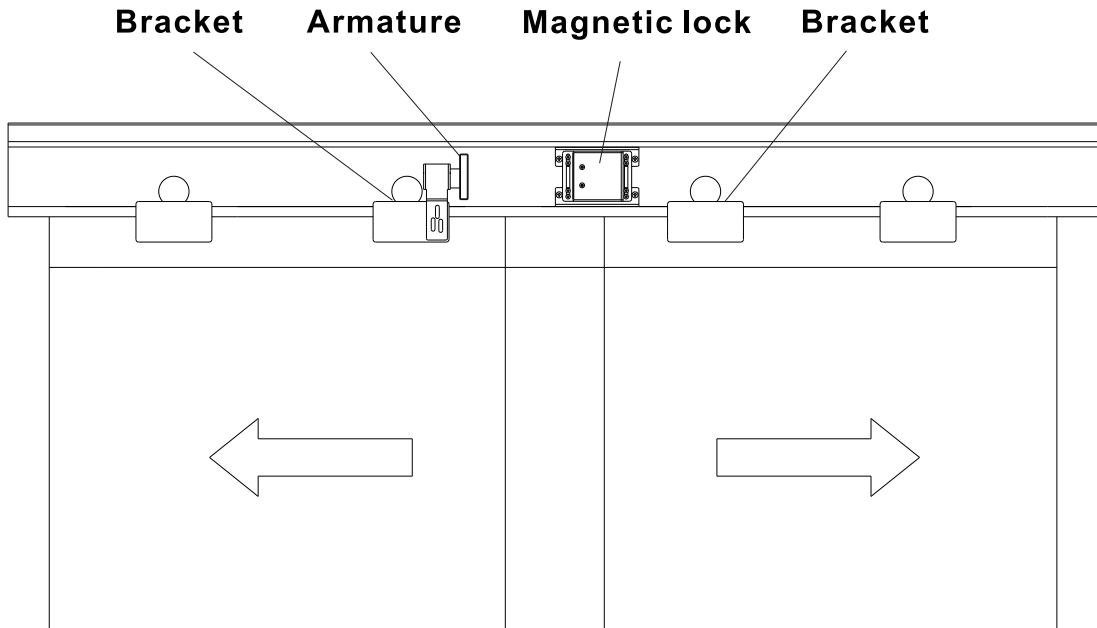
- (1) Before installation, please check the voltage and polarity of the power supply in order to avoid wrong connection causing damage to the magnetic lock.
- (2) Please make sure the armature is fit correctly to avoid any damage to the door before use.
- (3) Please do not attempt to repair or conduct any modification to the system, unless by qualified personnel.
- (4) Warranty period for the magnetic lock is 1 year.

## 7. Installations

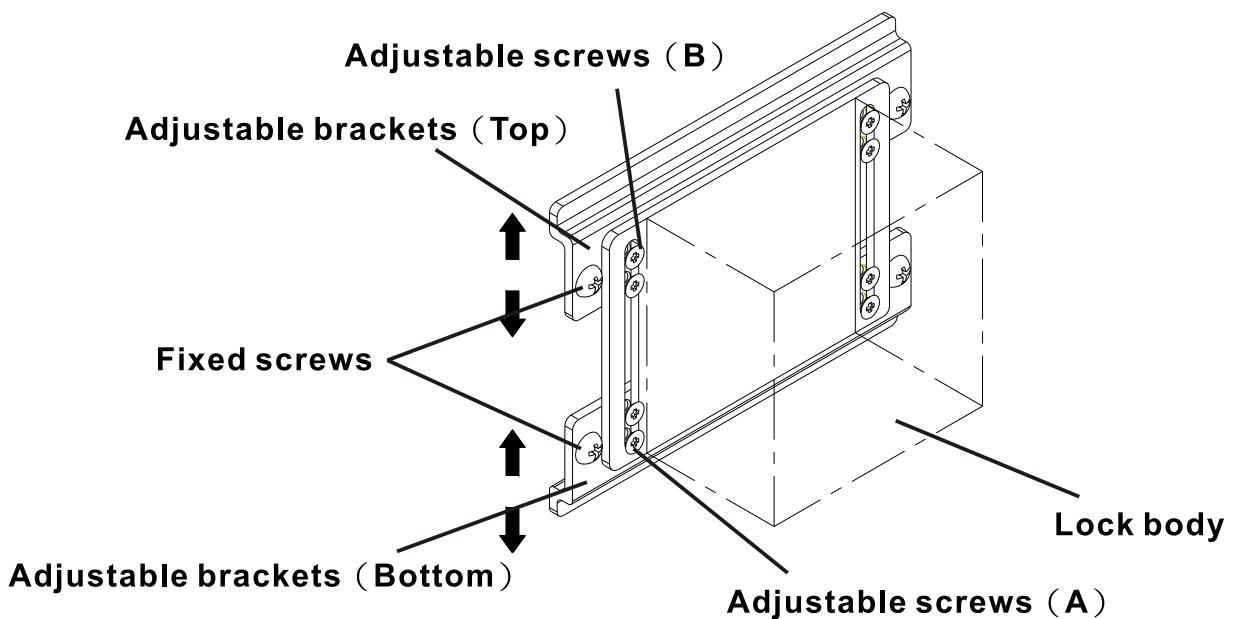
### (1) Dimensions



## (2) Physical installation

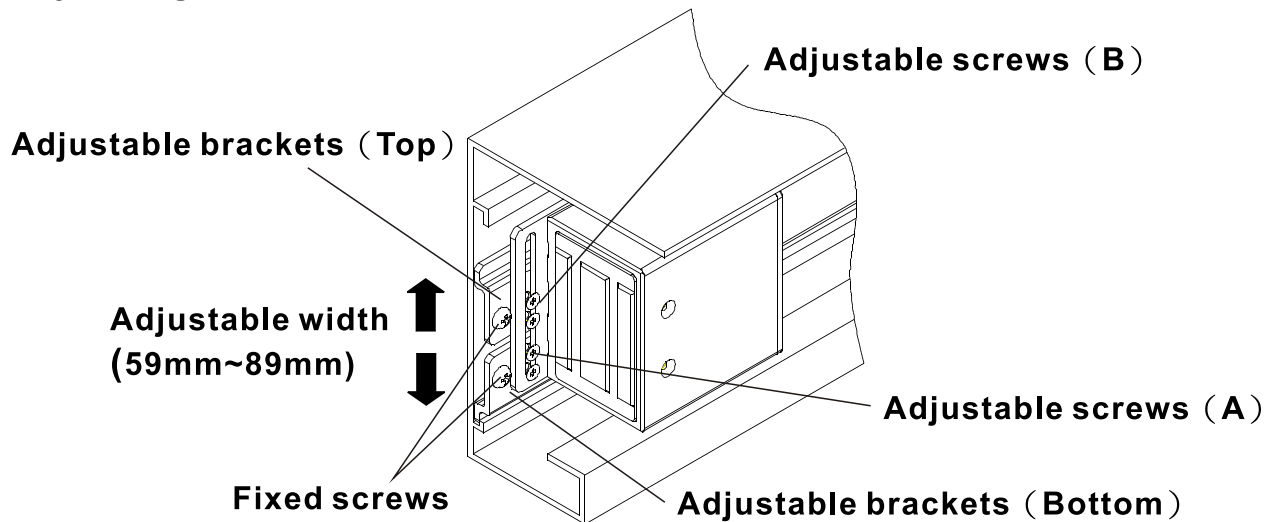


## (3) Template assembly



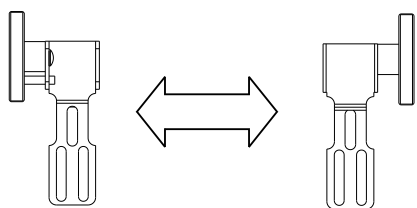
- The use of the template is to fix the lock body to the adjustable bracket.  
8 adjustable screws adjust the lock body on the template's two long vertical slits.
- 8 adjustable screws There are 2 adjustable screws for all 4 sides of the template for stronger position holding and to avoid any damage to the template.
- A bending area of the adjustable bracket is being put into the slot.  
Use fixed screws to fit the lock body tightly to the slot.

#### (4) Adjusting the brackets

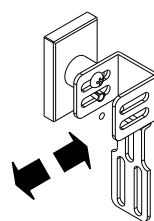


- A. Loosen all 8 adjustable screws (A and B). Adjust the bracket (bottom) to the lowest point and tighten all 4 adjustable screws (A).
- B. Fit the lock body to the slot. Adjust the bracket (top) to the slot.
- C. Finally, tighten all 4 adjustable screws (B) and all fixed screws.

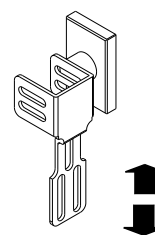
#### (5) Adjusting the armature



Loosen the fixed screws and move the armature to the different direction to suit different door.

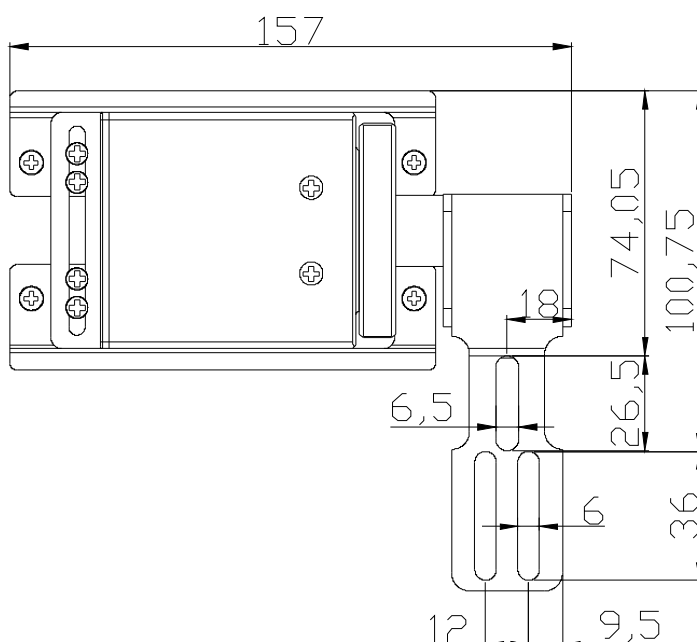


Adjusting the armature horizontally



Adjusting the armature vertically.

Relevant positions:



Unit:mm