



# Explosion-proof Electric Bolt



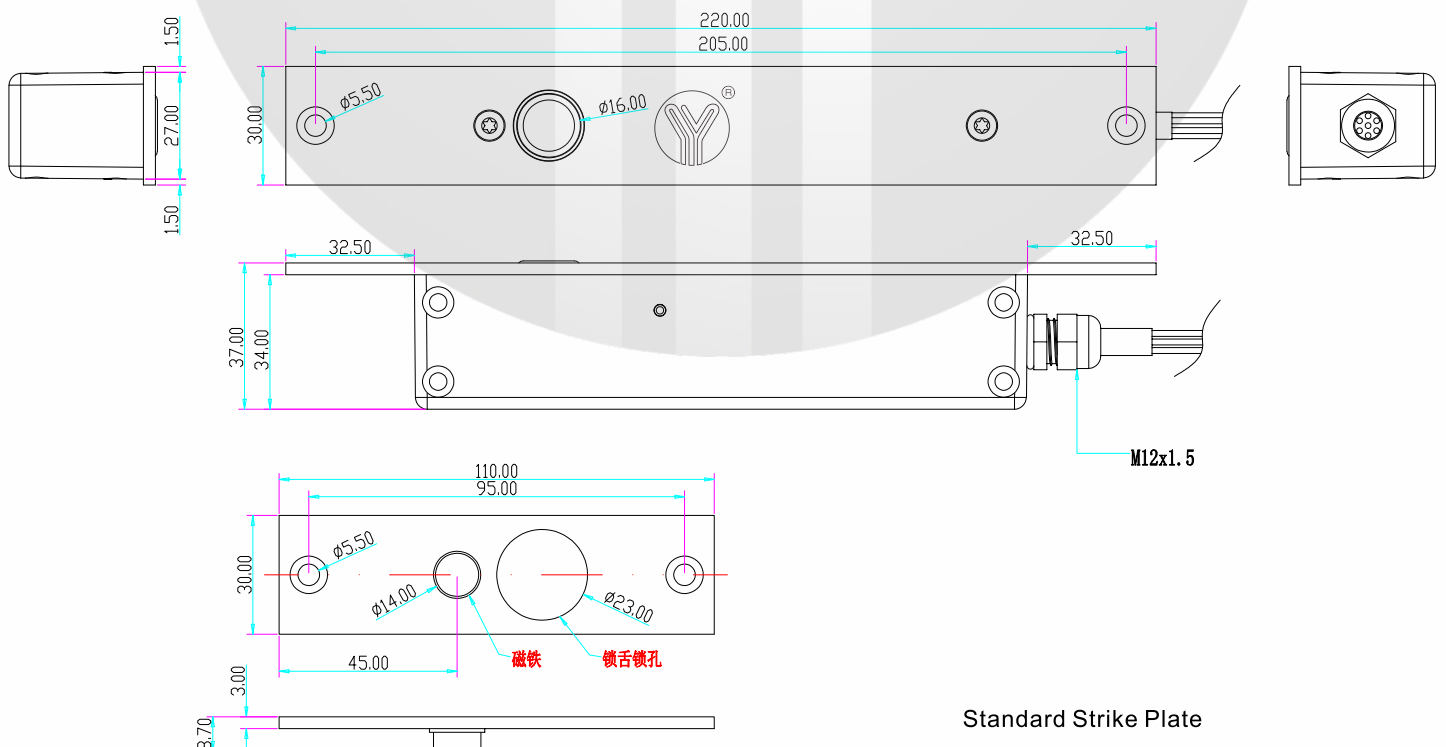
YLI ELECTRONIC

Model: YB-200-EX

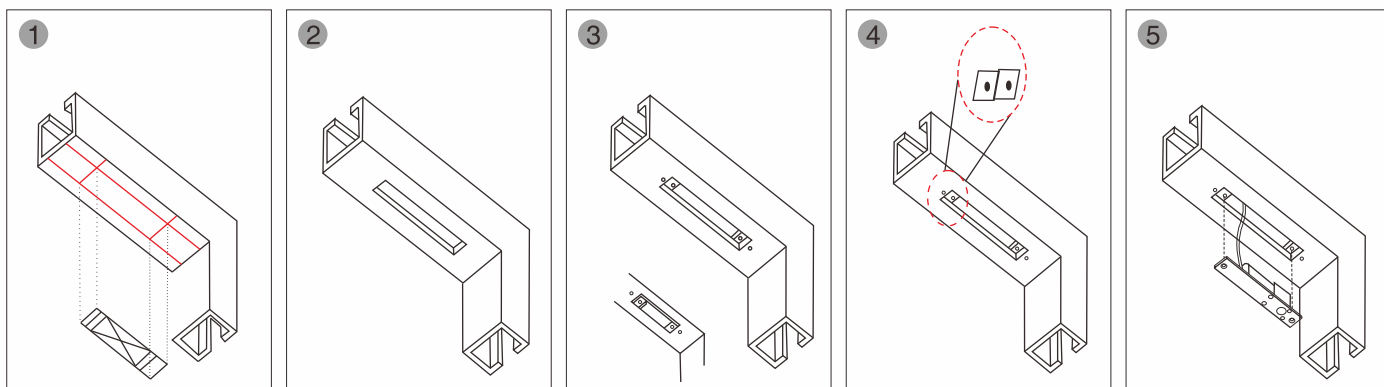
## Parameters

Face Plate	220Lx30Wx37H(mm)
Strike	110Lx30Wx3H(mm)
Decorative Panel	230Lx35Wx0.7H(mm)
Bolt	16mmDIA, stainless steel 16mm throw
Solid Bolt Holding Force	Polishing stainless steel, bearing 800kg
Signal Output	Door signal(NO/COM); Lock signal(NO/NC/COM)
Voltage	12VDC
Current	500mA
Feature	Fail Safe
Waterproof Level	IP 66
Suitable for	Wooden door, metal door, glass door
Induction Distance	6 m m
Face Place Material	High strength aluminum alloy
Weight	0.6 kg
Certificate numbe	ECM 23 ATEX-B DN 89
ATEX	II 1G Ex ib IIC T6 Gb II 2D Ex ib IIIC T85°C /T100°C Db
Patent Number	202321292124.2

## Dimensions



# Installation



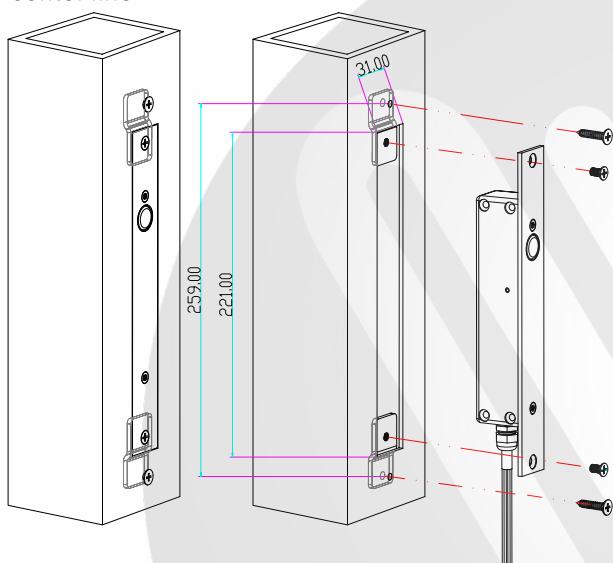
1 Place lock body template to match with door frame center line

2 Cut hole

3 Fix mounting plate (For hollow metal frame)

4 Connect wires

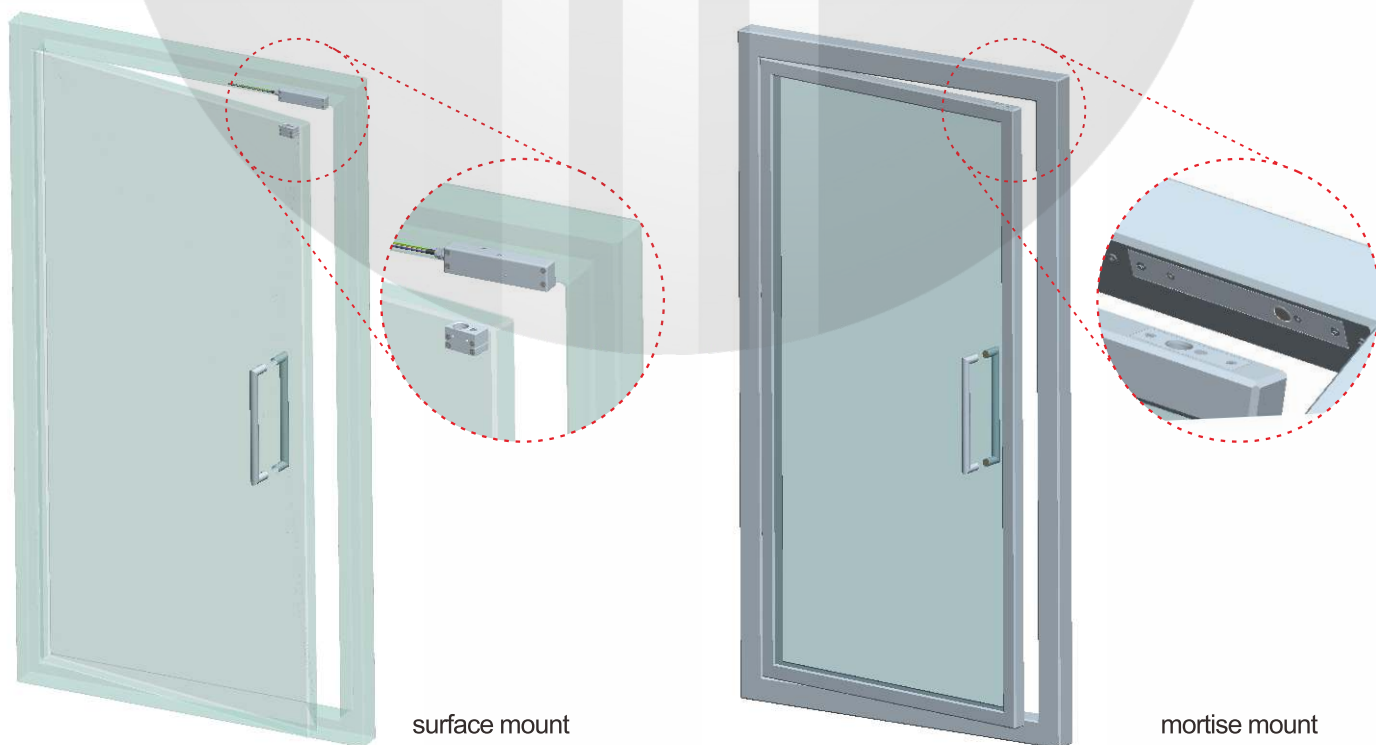
5 Mount lock body on the door frame and test



## Wiring diagram

	Red		+	
	Black		-	
	Green		NO	Door signal
	White		COM	
	Blue		NO	Lock signal
	Orange		NC	
	Yellow		COM	

# Installation Schematic



surface mount

mortise mount