



YLI ELECTRONIC

Signal isolated barrier

Model: SEP-514-EX

Specification

Product size: 73Lx56Wx23.5H(mm)

Uo: 10.8V; Io: 182mA

Co: 2.14μF ; Lo: 1.07mH

Po:0.49W

Intrinsically electrical parameters:

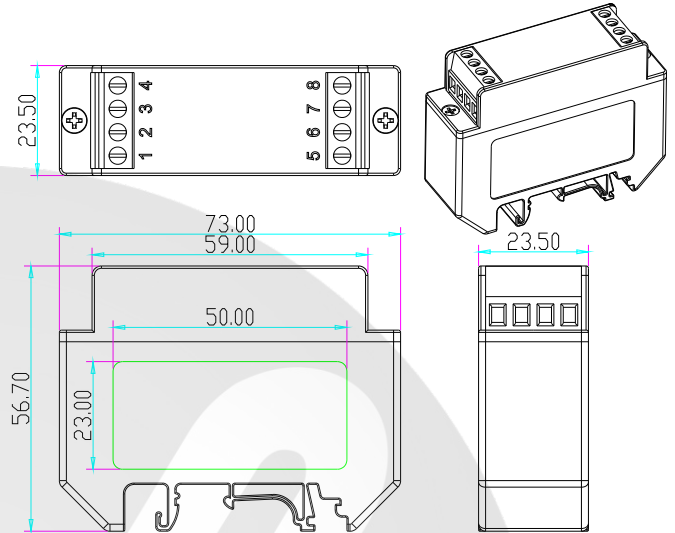
(Between the terminal 1 and 4, 2 and 4 between 3 and 4)

Operating temperature: -20℃ ~ +55℃

Product weight: 0.15kg

Patent No: 202230622215.2

Dimensions (Unit:mm)

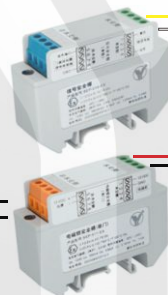


Diagram

Access controller



Signal isolated barrier



1 Yellow

4 White

1 Red

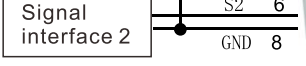
2 Black

Single door explosion-proof electric lock



Single door electric lock isolated barrier

Access controller



Signal isolated barrier



1 Yellow 1

2 Yellow 2

4 White 1+ White 2

1 Red 1

2 Black 1

3 Red 2

4 Black 2

Double door explosion-proof electric lock



Double door electric lock isolated barrier